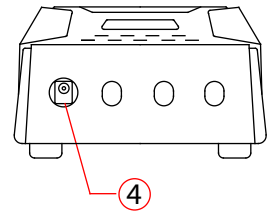
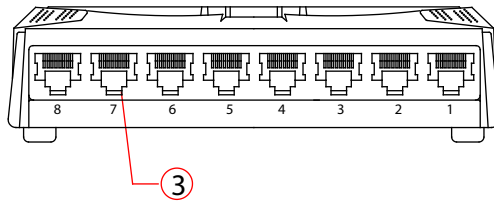
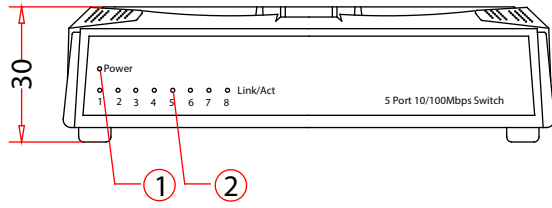
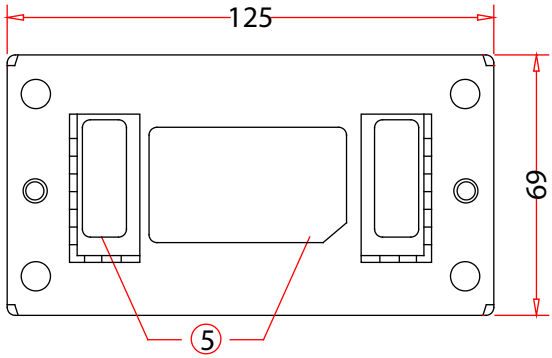


Rev.	Description	Date
A		10-2018



System Specifications

Standards & Protocols:
 IEEE 802.3 10-BASE-T (Ethernet)
 IEEE 802.3u 100-BASE-TX (Fast Ethernet)
 IEEE 802.3x Flow Control (full-duplex flow control)

Buffer Memory:
 96KB

Connectors and Cabling:
 8 x 10/100Base-TX RJ-45 Port
Indicator:

Power; Link/Active
Transmission Method:
 Store-and-Forward

Power Input:
 100-240V AC, 50-60 Hz, DC 5V, 1A,
 External Power Adapter
Power Consumption:
 < 2.8W

Features

General:
 Uplink: CSMA/CD
 Flow Control: Half Duplex - Backpressure;
 Full Duplex - Pause fram

Performance

Backplane (Gbps):
 1.6Gbps
MAC Address Table:
 1K
Data Transfer Rate:
 10/100Mbps
Packet Forwarding Rate:
 100Mbps port - 148,000pps
 10Mbps port - 14,880pps

Environment

Temperature (°C):
 Operating: 0°C ~ 40°C
 Storage: - 40°C ~ 70°C
Humidity (Non-condensing):
 Storage: 5% ~ 90%
 Operating: 10% ~ 90%

Deployment:
 Desktop and Magnetic Base

Physical Specifications

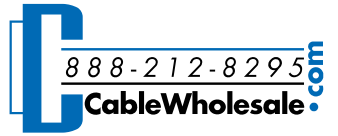
Dimensions (W x D x H mm):
 125 x 69 x 30 mm

Approval and Compliance

EMI/EMS:
 FCC, CE, RoHS

- ① Power Indicator
- ② Link/Active Indicators
- ③ RJ-45 LAN Interface
- ④ External Power Socket
- ⑤ Magnetic Base



Item Number:	71X5-01208	
Title:	8 Port 10/100 Fast Ethernet Switch, Magnetic Base	
Drawn by:	JL	
Approved by:	MAC	
ID:		

No.	Specifications
-----	----------------