

Rev.	Description	Date
A		10-2018

System Specifications

Standards & Protocols:

IEEE 802.3 10-BASE-T (Ethernet)
 IEEE 802.3u 100-BASE-TX (Fast Ethernet)
 IEEE 802.3x Flow Control (full-duplex flow control)

Buffer Memory:

48KB

Connectors and Cabling:

5 x 10/100Base-TX RJ-45 Port

Indicator:

Power; Link/Active

Transmission Method:

Store-and-Forward

Power Input:

100-240V AC, 50-60 Hz, DC 5V, 1A, External Power Adapter

Power Consumption:

< 2.5W

Features

General:

Uplink: CSMA/CD
 Flow Control: Half Duplex - Backpressure;
 Full Duplex - Pause frame

Performance

Backplane (Gbps):

1Gbps

MAC Address Table:

2K

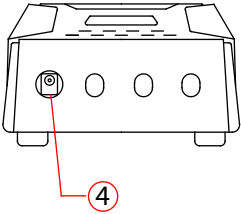
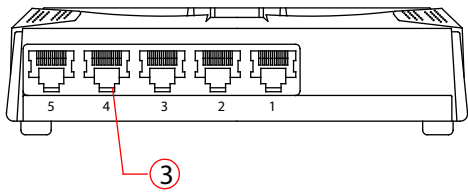
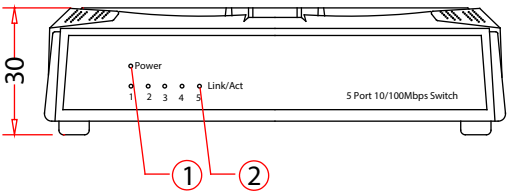
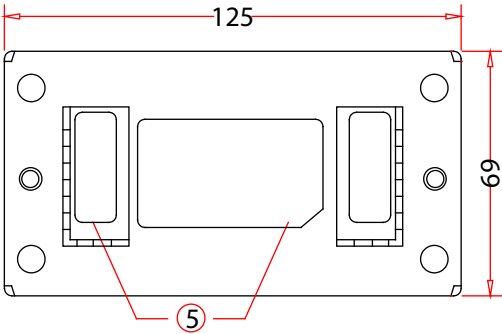
Data Transfer Rate:

10/100Mbps

Packet Forwarding Rate:

100Mbps port - 148,000pps

10Mbps port - 14,880pps



Environment

Temperature (°C):

Operating: 0°C ~ 40°C

Storage: - 40°C ~ 70°C

Humidity (Non-condensing):

Storage: 5% ~ 90%

Operating: 10% ~ 90%

Deployment:

Desktop and Magnetic Base

Physical Specifications

Dimensions (W x D x H mm):

125 x 69 x 30 mm

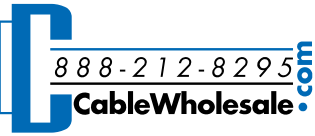
Approval and Compliance

EMI/EMS:

FCC, CE, RoHS

- ① Power Indicator
- ② Link/Active Indicators
- ③ RJ-45 LAN Interface
- ④ External Power Socket
- ⑤ Magnetic Base



Item Number:	71X5-01305	
Title:	5 Port 10/100 Fast Ethernet Switch, Black, Auto-negotiation	
Drawn by:	JL	
Approved by:	MAC	
ID:		

No.	Specifications
-----	----------------