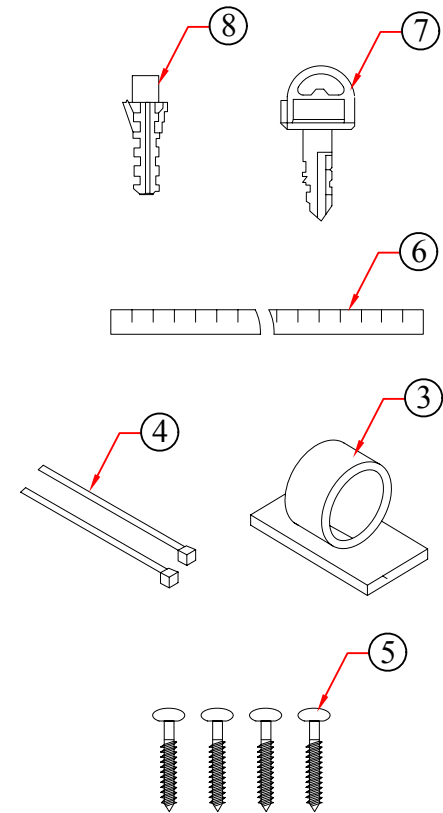
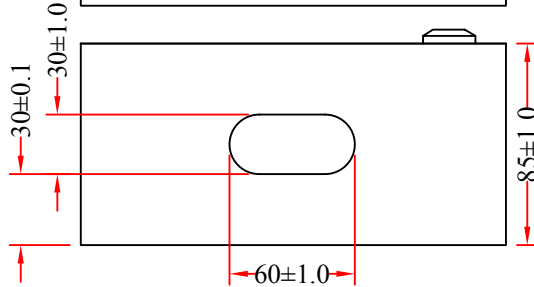
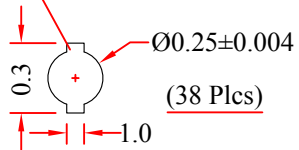


REV.	DESCRIPTION	DATE
A		02-2015



RoHS



8	310 Screw Tube,PP
7	Nylon Movable, Nylon
6	Key, Brass, Nickel Plated
5	6 x 46PA Screw, Steel, Zinc Plated
4	Tie Wrap Cable Mount, TDE Wrap
3	Adjust Buckle, Nylon
2	Lock, Zinc, Nickel Plated
1	RS-301, Steel, Lacquer Plated, T:1.0mm
NO.	SPECIFICATIONS
BOM LIST	

ITEM NUMBER	7550-00100			DRAWER	JL
TITLE	Media Cabinet, Surface Mount Enclosure			CHECKED	
				APPROVED	
MATERIAL		SCALE			
REV.	A	UNIT	MM		
DRAWING NO:				 888-212-8295	
ID(NO.)	18				