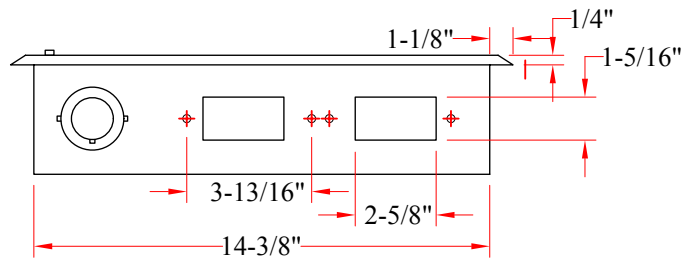
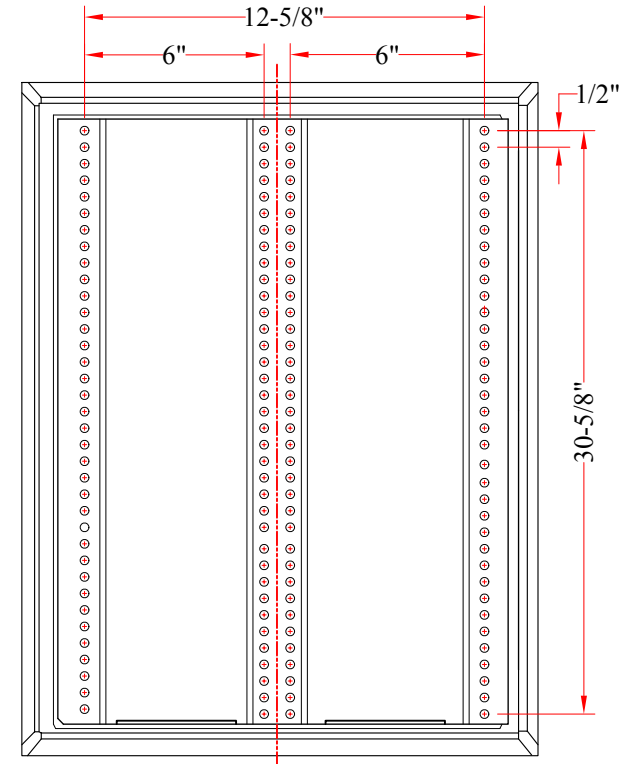
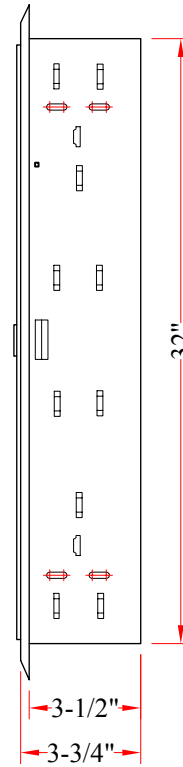
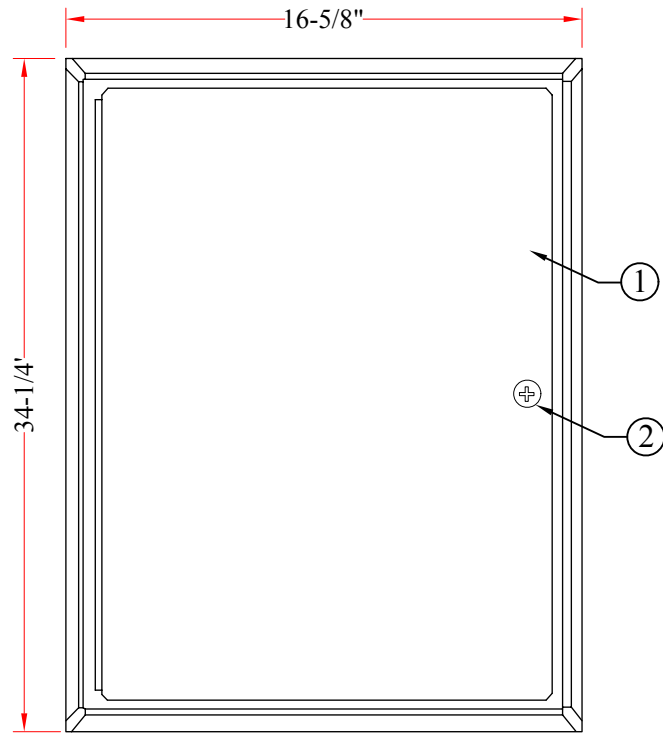

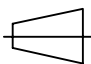
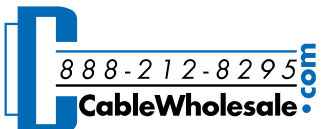


RoHS

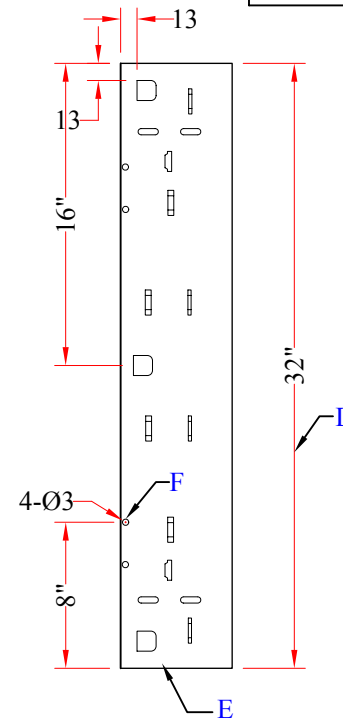
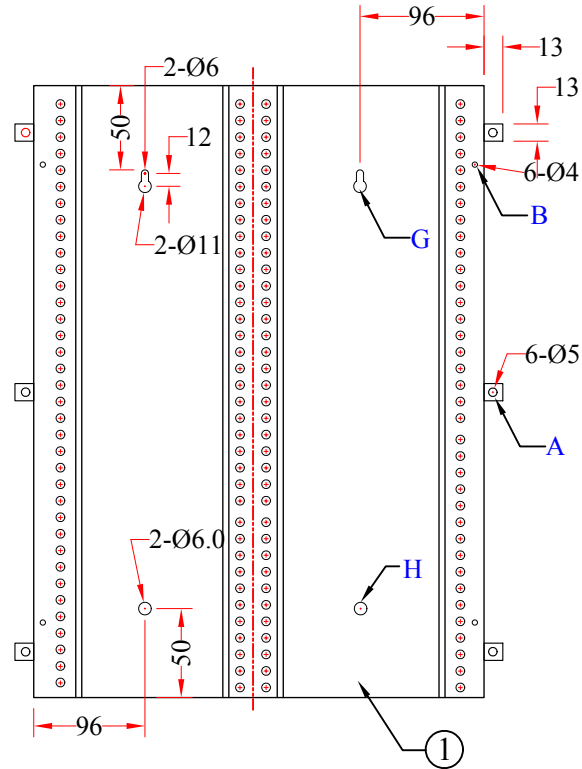
REV.	DESCRIPTION	DATE
A		02-2015



ITEM NUMBER	7550-00205			DRAWER	JL
TITLE	Media Cabinet, Flush Mount Enclosure, 32 inch			CHECKED	
				APPROVED	
MATERIAL		SCALE			
REV.	A	UNIT	INCH		
DRAWING NO:					
ID (NO.)	18				

3	Enclosure Body, Steel
2	Lock, Zinc, Dummy Lock, Nickel Plated
1	Door Assembly, Steel, Plastic Spraying, White, T:1.0mm
NO.	SPECIFICATIONS
	BOM LIST

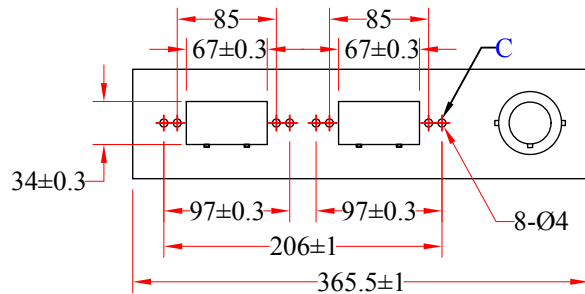
REV.	DESCRIPTION	DATE
A		02-2015



RoHS

Notes:

- A. Mounting Tabs
- B. Ground Screw
- C. Box Mounting Holes
- D. Height: 32 in(813mm)
- E. Paint Color: White
- F. Cover Mounting Screws
- G. Slotted Mounting Holes
- H. Mounting Holes



ITEM NUMBER	7550-00205		DRAWER	JL
TITLE	Media Cabinet, Flush Mount Enclosure, 32 inch		CHECKED	
			APPROVED	
MATERIAL		SCALE		
REV.	A	UNIT		
DRAWING NO:				
ID (NO.)	18			

1	Enclosure Body, Steel, Plastic Spraying, White, T:10mm
NO.	SPECIFICATIONS
	BOM LIST