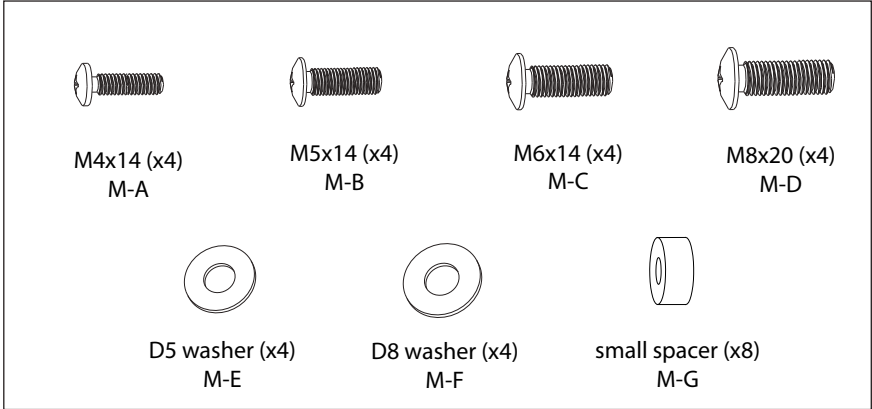


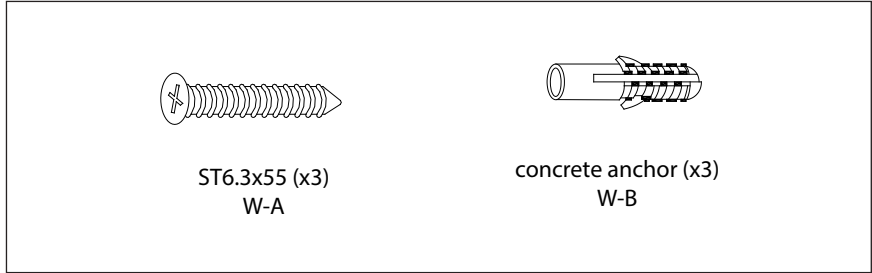
Rev.	Description	Date
A		11-2018

RoHS

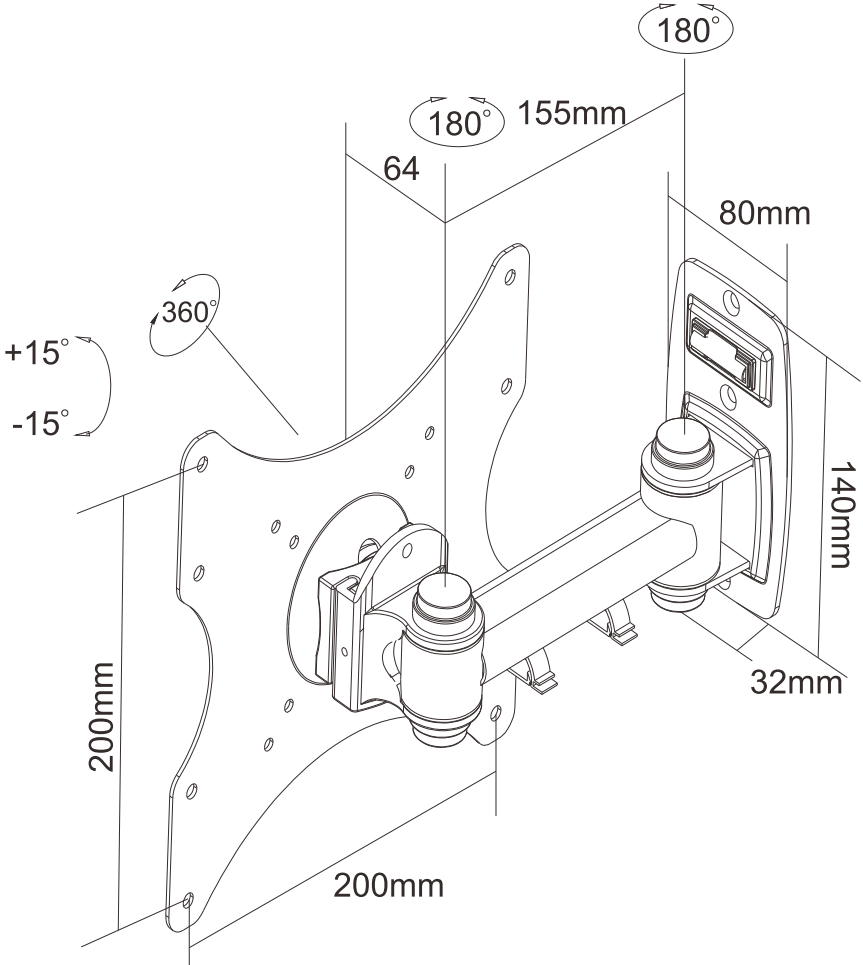
**Package M**

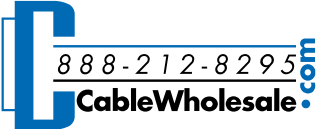


**Package W**



**Notes:**  
Material: Aluminum, Steel, Plastic



Item Number:	8212-50007	
Title:	TV Mount for 23 to 42 inch w/ 9.9 inch arm, 75 to 200mm VESA, Lockable	
Drawn by:	JL	
Approved by:	MAC	
ID:	108	

No.	Specifications
-----	----------------