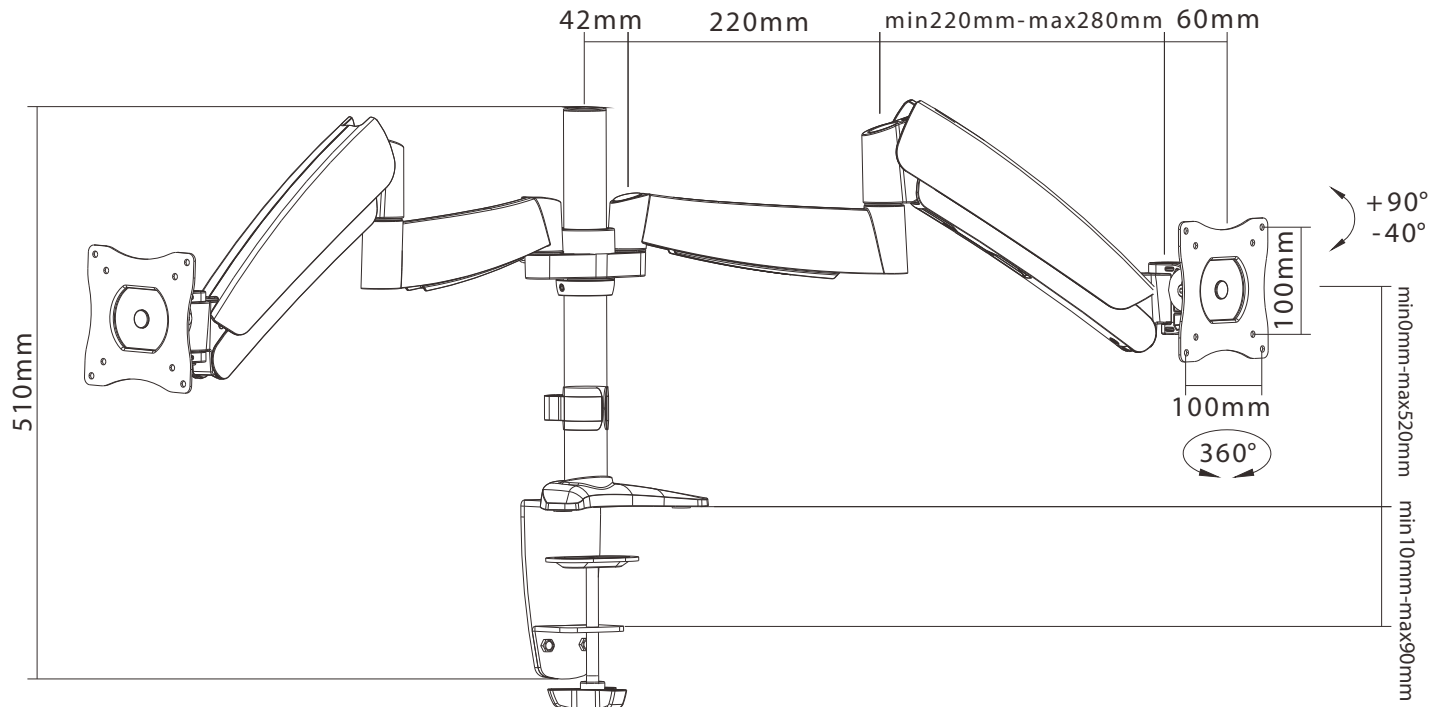
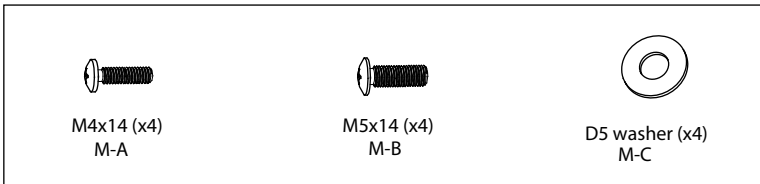


Rev.	Description	Date
A		01-2019

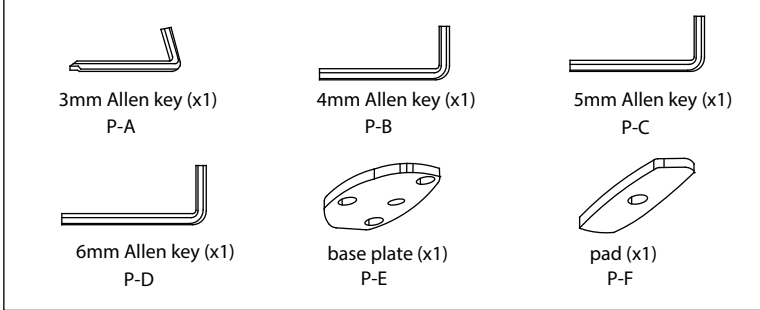


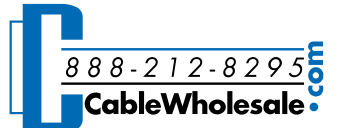
Package Mx2



RoHS

Package P



Item Number:	8212-50010	
Title:	Dual Monitor Deskmount 13 to 23 inch, Counterbalance	
Drawn by:	JL	
Approved by:	MAC	
ID:	108	

No.	Specifications
-----	----------------