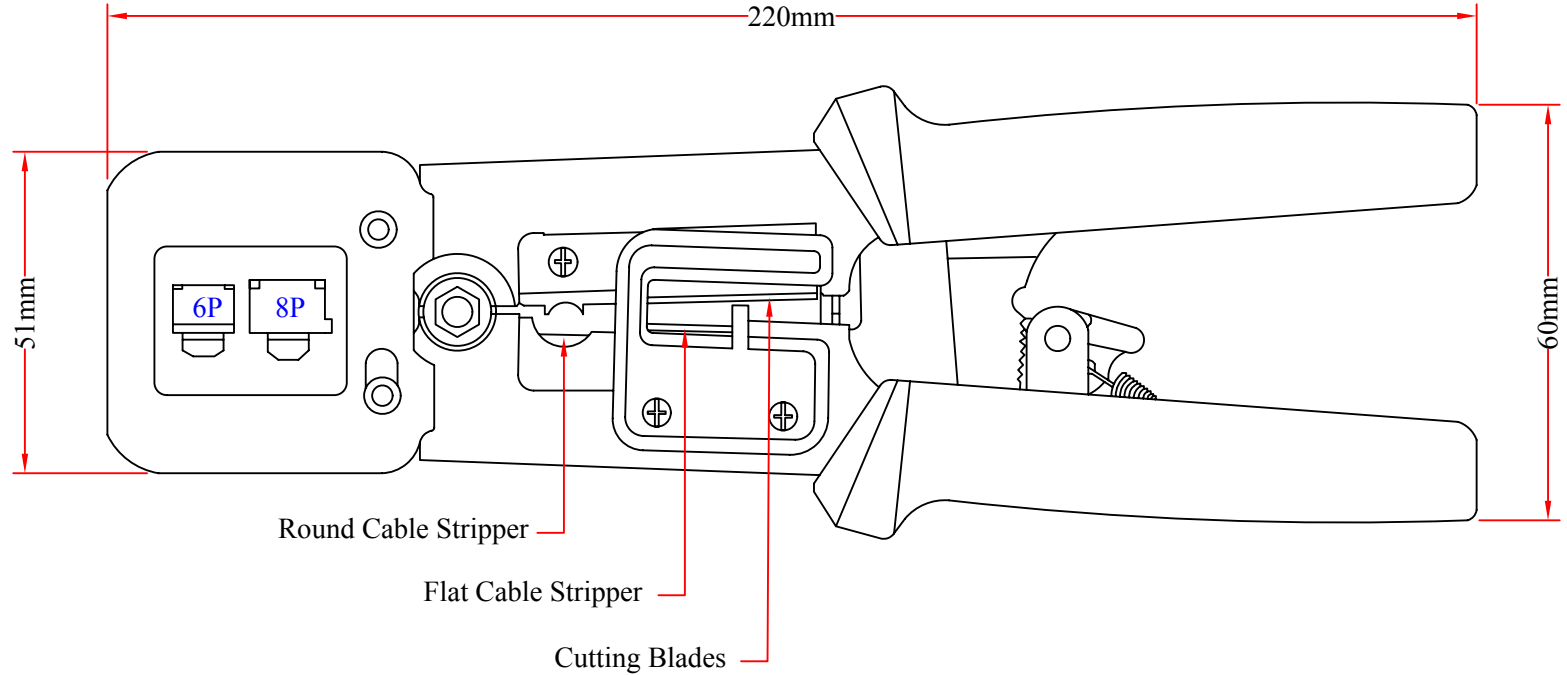
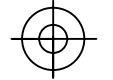
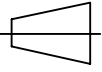
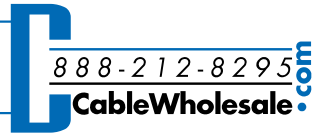


| REV. | DESCRIPTION | DATE |
|------|-------------|---------|
| A | | 08-2014 |
| | | |



RoHS

| | | | | | |
|-------------|--|-------|----|---|----|
| ITEM NUMBER | 92d5-66800 | | | DRAWER | JL |
| TITLE | EZ-RJ45 Professional Heavy Duty Crimp Tool | | | CHECKED | |
| | | | | APPROVED | |
| MATERIAL | | SCALE | |   | |
| REV. | A | UNIT | MM | | |
| DRAWING NO: | | | |  | |
| | | | | | |