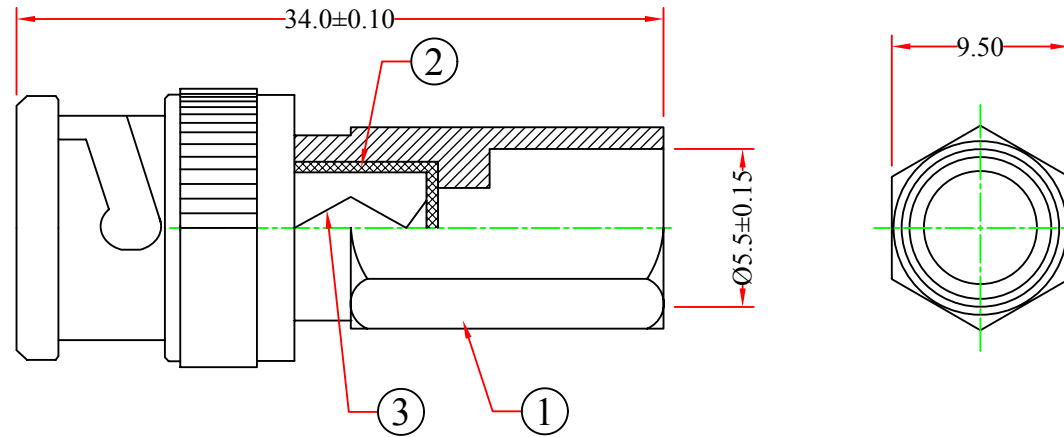
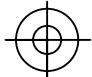
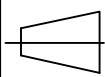


REV.	DESCRIPTION	DATE
A		03-2013



RoHS

3	Contact Pin , Brass / Gold Plated
2	Insulator ,Delrin
1	Shell, Zinc / Nickel Plated
NO.	SPECIFICATIONS
	BOM LIST

ITEM NUMBER	ASF-20142			DRAWER	JL
TITLE	RG59 BNC Twist On Connector			CHECKED	
				APPROVED	
MATERIAL		SCALE		 	
REV.	A	UNIT	MM		
DRAWING NO:				