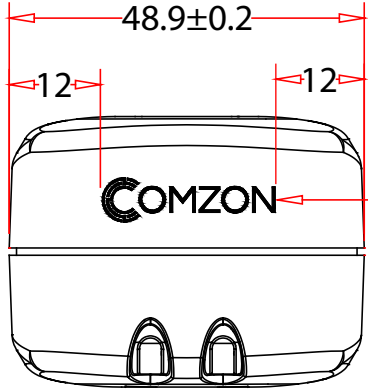
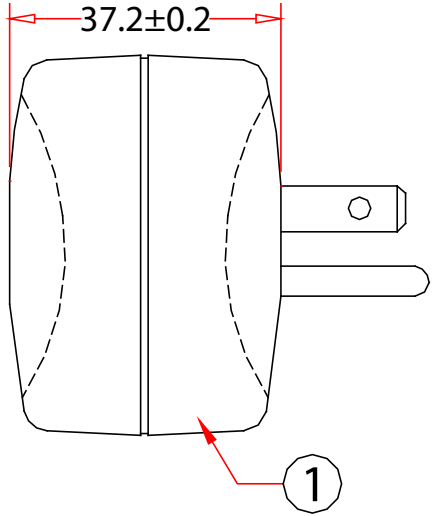
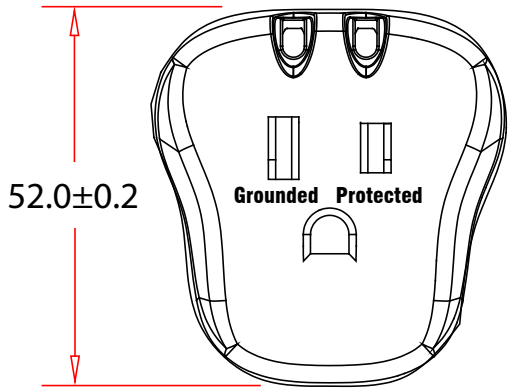


Rev.	Description	Date
A		11-2021

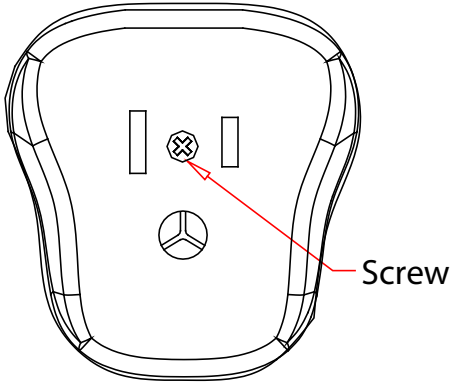


Black ink

Electrical Rating	-----120 Volts AC. 15 Amps. 60Hz. 1800 Watts
Max. Spike Voltage	----- 6KV
Maximum Surge Dissipation	----- 540 joules
Max. Spike Current	----- 36000 Amps[3- Line Total]
UL 1449 Clamping Voltage	-----500 Volts
Clamping Response Time	----- Less than 1 nanoseconds
EMI/RFI Noise Filter : Frequency	----- 150KHz~100MH
Attenuation	----- Up to 40dB

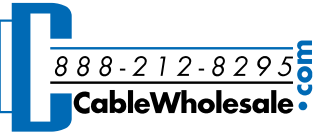


NEMA 5-15P



RoHS

3	
2	
1	UL/CSA Approved NEMA 5-15P, Color: White
No.	Specifications

Item Number:	C2009	
Title:	ComZon® Surge Protector, 1 Outlet, 540 Joules with EMI/RFI filter	
Drawn by:	JL	
Approved by:	MAC	
ID:	83	