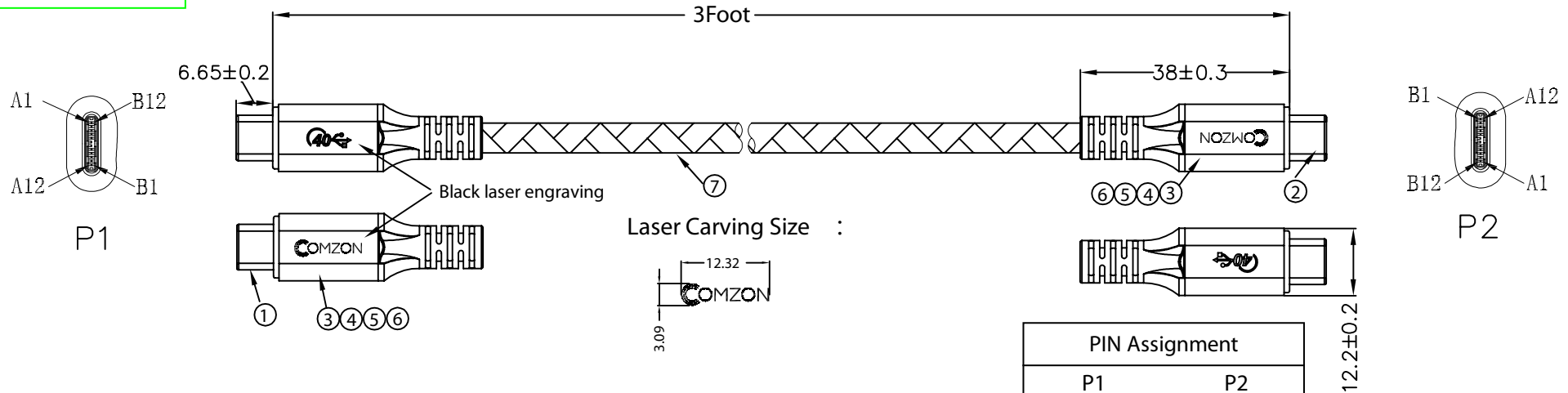


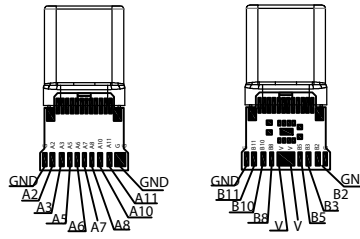
RoHS

Rev.	Description	Date
A		12-2023



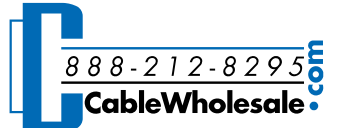
ELECTRICAL TEST:

- 1.100% OPEN SHORT MIS WIRE TEST
- 2.CONTACT RESISTANCE:3 OHM MAX
- 3.INSULATION RESISTANCE:5M OHM MIN
- 4.HI-POT TEST:DC 300V/10ms
- 5.PASS 40G 100W(20V5A) 8K@60HZ TEST



PIN Assignment	
P1	P2
VBUS	VBUS
A5	A5
B5	B5
A8	B8
B8	A8
A6	A6
A7	A7
A2	B11
A3	B10
G	G
B11	A2
B10	A3
G	G
B2	A11
B3	A10
G	G
A11	B2
A10	B3
G	G
GND	GND

7	BLACK PVC 45P
6	PE,Nature color
5	TYPE CM Gray aluminum shell 18*12.2*6.35mm
4	TYPE CM Tinplate
3	USB3.1 TYPE CM Nickel plated
2	USB3.1 TYPE CM Nickel plated + E-MARK
1	[1/0.2BC*1P+D(1/0.20BC)+AM+HM]*4P+1/0.20BC*1P+1/0.20BC*4C+7/0.20BC*2C+D7/0.20BC+AL+B(16/5/0.08TC) Black PVC, Black Cottont Braided Jacket OD:5.0±0.2mm
No.	Specifications

Item Number:	C2034	
Title:	Comzon® 40Gbps 100 watt USB4 Cable, 8K/4K 1080p, ThunderBolt 3 & 4 Compatible, Fast Charging, USB Type C Male, Braided Jacket, 3 foot	
Drawn by:	JL	
Approved by:	MAC	
ID:	223	