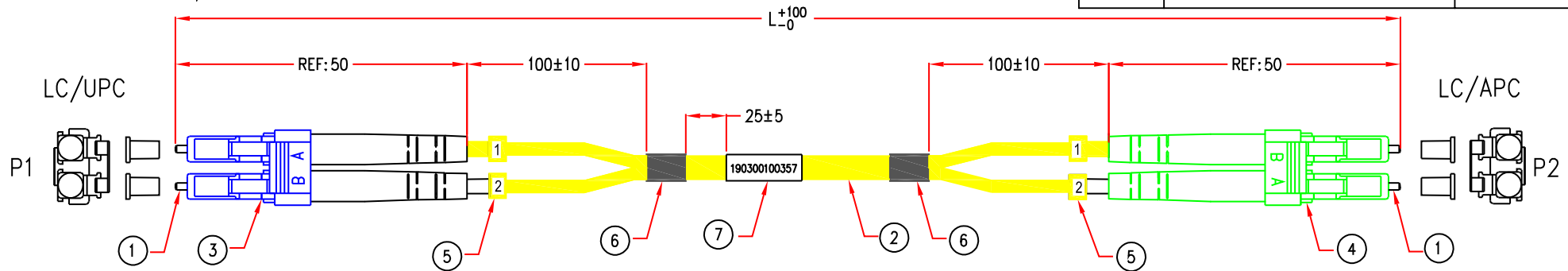


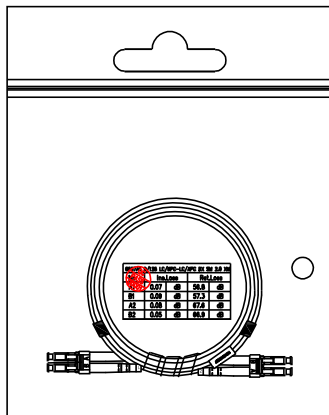
CABLE MARKING:

OPTICAL FIBER CABLE 9/125 G657A1 SM-2.0*4.1 OFNR E510298 MSL BATCH NO XXM

Rev.	Description	Date
A		02-2024



1 PC IN A ZIP BAG



LABLE:

190300100357

- Factory code
- Production number
- Customer code
- Year Month

Pin Assignment

P1		P2
1	_____	1
2	_____	2

TEST DATA:

G657A1 9/125 LC/UPC-LC/APC DX SM 2.0 XM				
No	Ins.Loss		Ret.Loss	
A1	0.07	dB	56.8	dB
B1	0.09	dB	57.3	dB
A2	0.08	dB	67.6	dB
B2	0.05	dB	66.9	dB

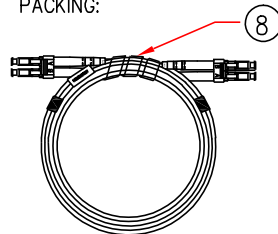
RoHS

WaveLength: 1310nm&1550nm

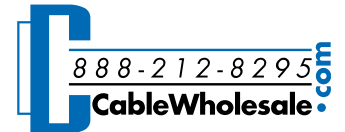
- 1.Insertion loss: LC/UPC: ≤0.30dB
LC/APC: ≤0.30dB
- 2.Return loss: LC/UPC : ≥55dB
LC/APC : ≥65dB

PART NO	CABLE LENGTH
LCLC-01601	1 Meter
LCLC-01601	2 Meter
LCLC-01603	3 Meter
LCLC-01605	5 Meter

PACKING:



8	Transparent Coil Cable Tie, Length 40mm
7	L/N with Transparent Label 20*40mm
6	Black Heat Shrink Tube Ø3.0*15mm
5	Mark Ring, Color Yellow (#1 & #2)
4	LC/UPC SM/Yellow , Housing/Boot Color: Green, Tube Color: Yellow & White
3	LC/UPC SM/Blue Housing/Boot Color: White, Tube Color: Yellow & White
2	SM, DX/UL, G657A1, 9/125, OD 2.0*4.1MM, Yellow Color
1	LC/UPC SM/1.0
No.	Specifications

Item Number:	LCLC-016xx	
Title:	Plenum Fiber LC/UPC to LC/APC OS2 OFNR, Singlemode 9/125, Yellow Jacket, Blue LC + Green LC Connector Optic Cable	
Drawn by:	JL	
Approved by:	MAC	
ID:	1	