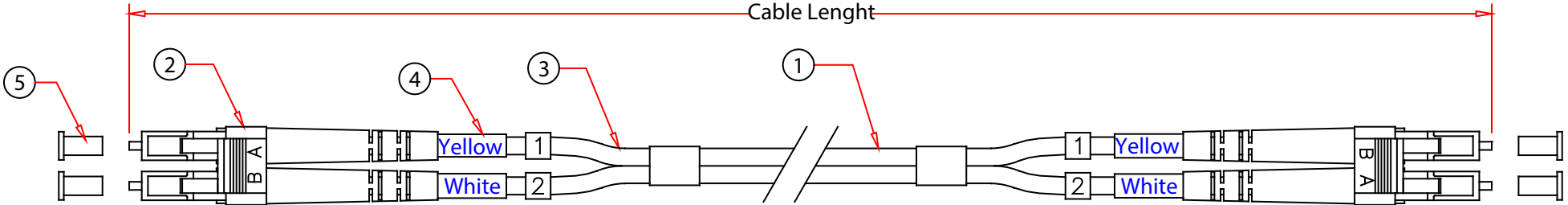


Rev.	Description	Date
A		04-2023



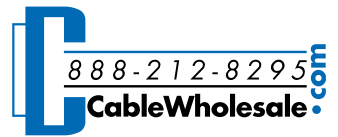
RoHS

**NOTES:**

1. Insertion loss < 0.3 dB
2. Return loss > 35 dB
3. Fiber Extension: -0.05 um < H < +0.05um
4.  $\Phi 1.25\text{um}$  Ferrule End-face Radius:  $7 < R < 25\text{mm}$
5. Apex Offset: < 50um
6. Increase in Insertion Loss after 500 mating: 0.2 dB Max
7. Operating Temperature: -20 °C to +70 °C
8. Storage Temperature: -20 °C to +70 °C

PART NO	CABLE LENGTH	PART NO	CABLE LENGTH
LCLC-31001	1 Meter	LCLC-31008	8 Meter
LCLC-31002	2 Meter	LCLC-31009	9 Meter
LCLC-31003	3 Meter	LCLC-31010	10 Meter
LCLC-31004	4 Meter	LCLC-31015	15 Meter
LCLC-31005	5 Meter	LCLC-31020	20 Meter
LCLC-31006	6 Meter	LCLC-31025	25 Meter
LCLC-31007	7 Meter	LCLC-31030	30 Meter

6	
5	Cap
4	Channel Marker
3	Shrinkage Tube
2	LC/UPC Duplex Connector Ferrule is Ceramic Material (Beige Housing White Boot)
1	OD: 2.0mm, Multimode, Duplex, 50/125 OM3 Fiber Optic Cable, PVC Riser Rated, Color: Aqua
No.	Specifications

Item Number:	LCLC-310xx	
Title:	10 Gigabit Aqua LC/LC OM3 Multimode Duplex Fiber Optic Cable, 50/125	
Drawn by:	JL	
Approved by:	MAC	
ID:	265	