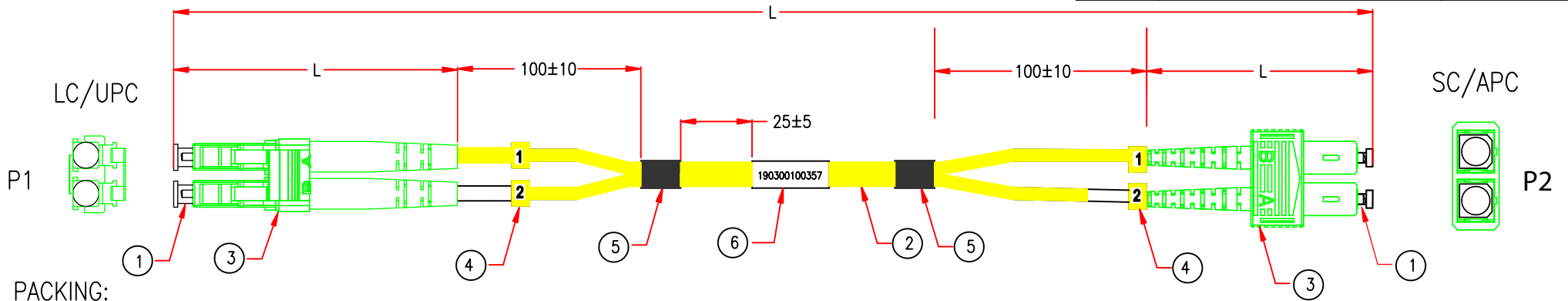


Cable Marking:

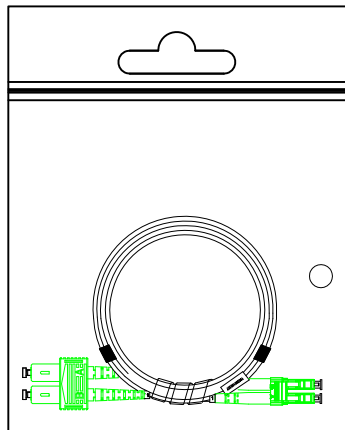
OPTICAL FIBER CABLE 9/125 G657A1 SM-2.0*4.1 OFNR E510298 MSL BATCH NO XXM(米標)

Rev.	Description	Date
A		02-2024

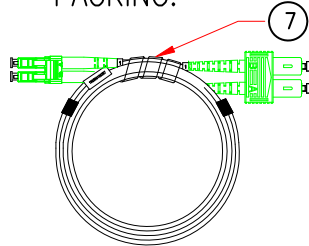


PACKING:

1 PC IN A ZIP BAG



PACKING:



Pin Assignment	
P1	P2
1	1
2	2

WaveLength:1310nm&1550nm

1.Insertion loss:LC/UPC:≤0.20dB

SC/APC:≤0.30dB

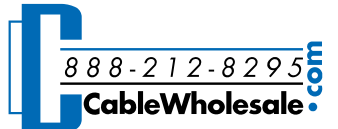
2.Return loss: LC/UPC:≥55dB

SC/APC:≥65dB

RoHS

PART NO.	CABLE LENGTH
LCSC-01301	1 Meter
LCSC-01302	2 Meter
LCSC-01303	3 Meter
LCSC-01305	5 Meter

No.	Specifications
9	Transparent Coil Cable Tie, Length 40mm
8	L / N with Transparent Label 20*20mm
7	Black Heat Shrink Tube Φ4.0*15mm
6	Mark Ring, Color Yellow (#1)
5	SC/APC SM/DX2.0 Zinc Alloy, Outer Frame PBT. Green, Taili Cover TPV: Green
4	LC/UPC SM/Blue Housing/Boot Color: White, Tube Color: Yellow& White
3	SM SX 9/125 G657A1 OD:2.0*4.1mm, Yellow PVC Corning EQ00902C-062
2	SC/APC SM/1.0
1	LC/UPC SM/0.5

Item Number:	LCSC-013xx	
Title:	Duplex Single-Mode LC/UPC To SC/APC 9 /125 Fiber Optic Cable	
Drawn by:	JL	
Approved by:	MAC	
ID:	1	