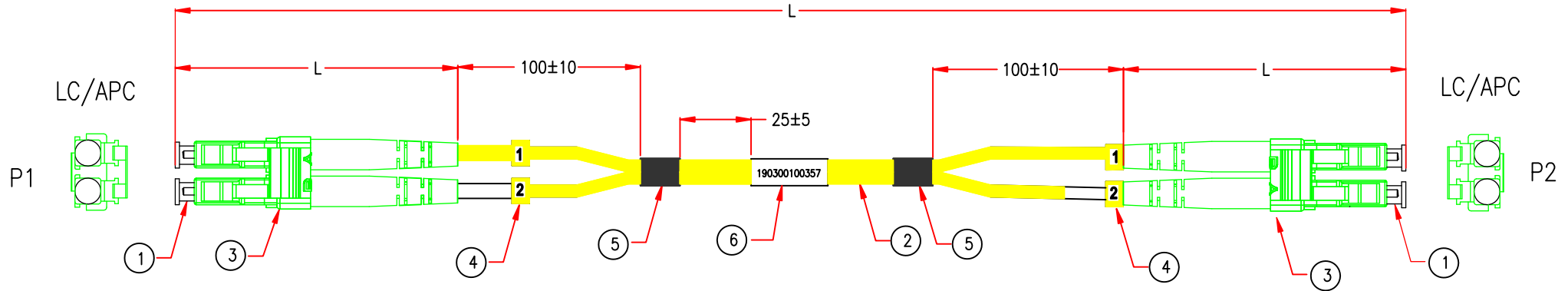


Cable Marking:

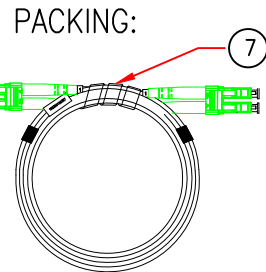
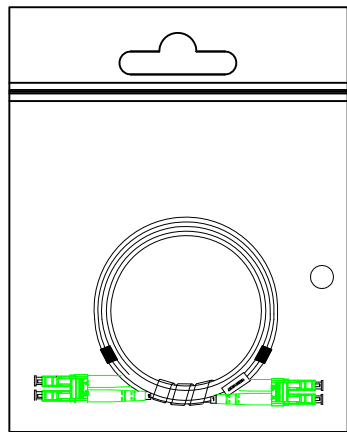
OPTICAL FIBER CABLE 9/125 G657A1 SM-2.0*4.1 OFNR E510298 MSL BATCH NO XXM(米標)

Rev.	Description	Date
A		02-2023



PACKING:

1 PC IN A ZIP BAG



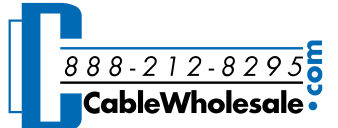
Pin Assignment	
P1	P2
1 _____	1
2 _____	2

WaveLength:1310nm&1550nm
 1.Insertion loss:LC/APC:≤0.30dB
 2.Return loss: LC/APC:≥65dB

RoHS

PART NO.	CABLE LENGTH
LCSC-01501	1 Meter
LCSC-01502	2 Meter
LCSC-01503	3 Meter
LCSC-01505	5 Meter

No.	Specifications
7	Transparent Coil Cable Tie, Length 40mm
6	L / N with Transparent Label 20*20mm
5	Black Heat Shrink Tube Φ4.0*15mm
4	Mark Ring, Color Yellow (#1)
3	LC/APC SM/DX2.0 Green Housing/Boot Color: Green, Tube Color: Yellow& White
2	SM DX 9/125 G657A1 OD:2.0*4.1mm, Yellow PVC Corning EQ00902C-062
1	LC/UPC SM/1.0

Item Number:	LCSC-015xx	
Title:	Duplex Single-Mode LC/APC To LC/APC 9/125 Fiber Optic Cable	
Drawn by:	JL	
Approved by:	MAC	
ID:	1	