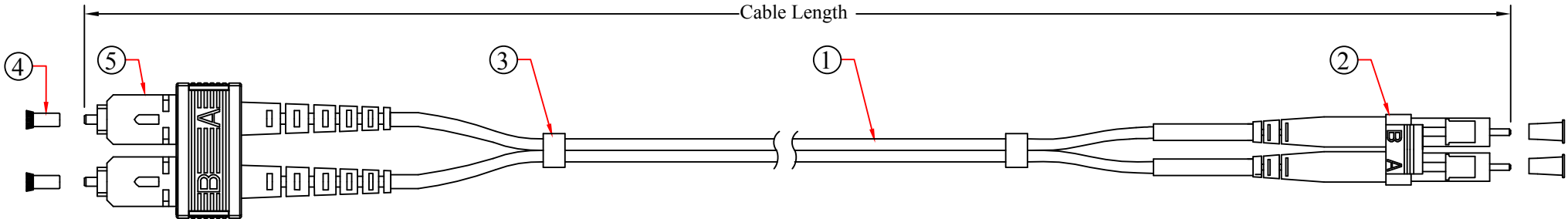


| REV. | DESCRIPTION | DATE |
|------|-------------|---------|
| A | | 09-2011 |
| | | |

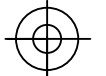
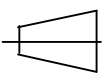
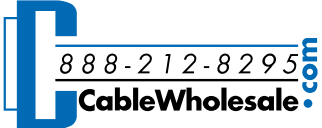


RoHS

| PART NO. | CABLE LENGTH | PART NO. | CABLE LENGTH |
|------------|--------------|------------|--------------|
| LCSC-11101 | 1 Meter | LCSC-11110 | 10 Meter |
| LCSC-11102 | 2 Meter | LCSC-11115 | 15 Meter |
| LCSC-11103 | 3 Meter | LCSC-11116 | 16 Meter |
| LCSC-11104 | 4 Meter | LCSC-11120 | 20 Meter |
| LCSC-11105 | 5 Meter | LCSC-11125 | 25 Meter |
| LCSC-11106 | 6 Meter | LCSC-11130 | 30 Meter |
| LCSC-11107 | 7 Meter | LCSC-11150 | 50 Meter |
| LCSC-11108 | 8 Meter | | |

NOTES:
Insertion loss < 0.5 dB

| | |
|----------|---|
| 5 | SC MM Connector (Beige Housing Red/Black Boot) |
| 4 | Cap |
| 3 | Shrinkage Tube |
| 2 | LC MM Duplex Connector (Beige Housing Grey Boot) |
| 1 | OD:1.8mm, Multimode, Duplex,62.5/125 Fiber Optic Cable,PVC, Color: Orange |
| NO. | SPECIFICATIONS |
| BOM LIST | |

| | | | | | |
|-------------|---|-------|------|---|---|
| ITEM NUMBER | LCSC-111xx | | | DRAWER | JL |
| TITLE | LC / SC, Multimode, Duplex Fiber Optic Cable,62.5/125 | | | CHECKED | |
| MATERIAL | | SCALE | | APPROVED | |
| REV. | A | UNIT | INCH |  |  |
| DRAWING NO: | | | |  | |
| | | | | | |