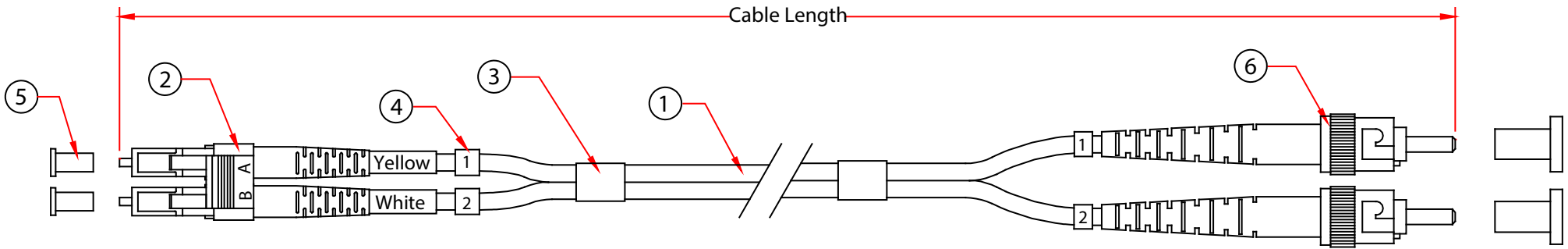


Rev.	Description	Date
A		10-2018



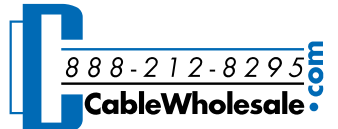
RoHS

**NOTES:**

1. Insertion loss < 0.3 dB
2. Return loss > 55 dB
3. Fiber Extention: -0.05 um < H < +0.05um
4.  $\Phi 1.25\text{um}$  Ferrule End-face Radius:  $7 < R < 25\text{mm}$
5. Apex Offset: < 50 um
6. Increase in Insertion Loss after 500 mating: 0.2 dB Max.
7. Operatlon Temperature: -20° to +70°.
8. Storage Temperature: -20° to +70°.

PART NO	CABLE LENGTH	PART NO	CABLE LENGTH
LCST-11001	1 Meter	LCST-11008	8 Meter
LCST-11002	2 Meter	LCST-11009	9 Meter
LCST-11003	3 Meter	LCST-11010	10 Meter
LCST-11004	4 Meter	LCST-11015	15 Meter
LCST-11005	5 Meter	LCST-11020	20 Meter
LCST-11006	6 Meter	LCST-11025	25 Meter
LCST-11007	7 Meter	LCST-11030	30 Meter

6	ST/UPC SM Connector Ferrule is Ceramic Material ( Metal Housing Black Boot)
5	Cap
4	Channel Marker
3	Shrinkage Tube
2	LC/UPC SM Duplex Connector Ferrule is Ceramic Material ( Blue Housing White Short Boot)
1	OD:2.0mm, Singlemode, Duplex, 9/125 Fiber Optic Cable, PVC Riser Rated, Color:Yellow
No.	Specifications

Item Number:	LCST-110xx	
Title:	Fiber Optic Cable, LC / ST, Multimode, Duplex, 50/125	
Drawn by:	JL	
Approved by:	MAC	
ID:	280	