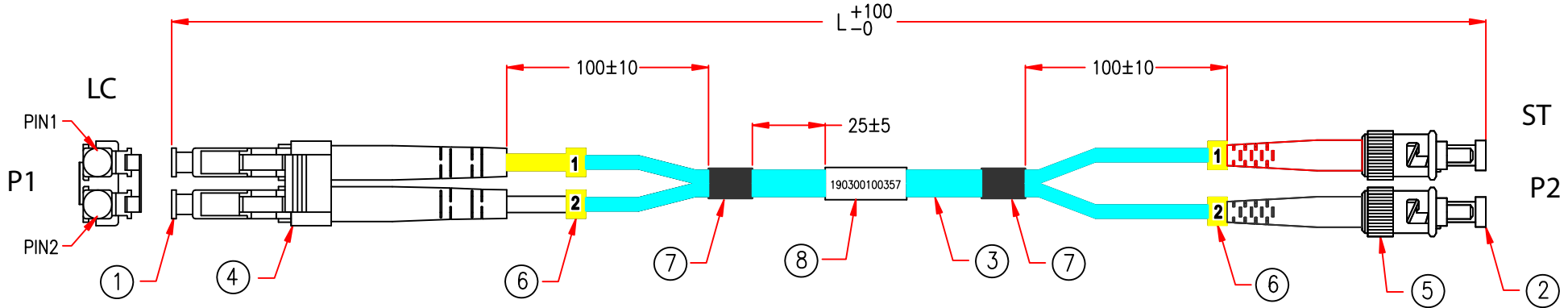


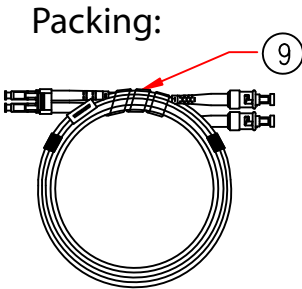
| Rev. | Description | Date |
|------|-------------|---------|
| A | | 05-2022 |

Cable Marking:
OPTICAL FIBER CABLE 50/125 10G MM-2.0*4.1 OFNR Exxxxxx MSL BATCH NO XXM

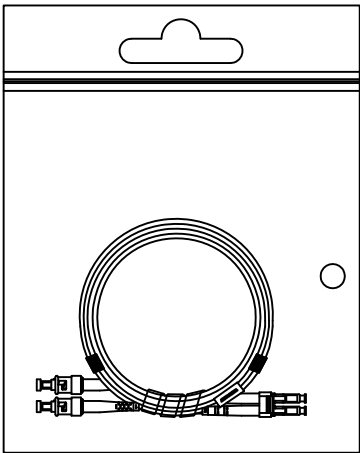


RoHS

| Pin Assignment | |
|----------------|----|
| P1 | P2 |
| 1 _____ | 1 |
| 2 _____ | 2 |

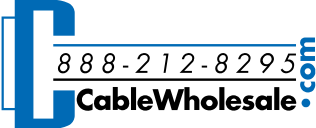


Packing: 1 PC in a Zip Bag



| PART NO. | CABLE LENGTH |
|------------|--------------|
| LCST-31001 | 1 Meter |
| LCST-31002 | 2 Meter |
| LCST-31003 | 3 Meter |
| LCST-31005 | 5 Meter |
| LCST-31010 | 10 Meter |
| LCST-31015 | 15 Meter |
| LCST-31020 | 20 Meter |

| | |
|-----|--|
| 9 | Transparent Coil Cable Tie, Length 40mm |
| 8 | L/M with Transparent Label 20*20mm |
| 7 | Black Heat Shrink Tube Φ4.0*15mm |
| 6 | Mark Ring, Color Yellow(#1 & #2) |
| 5 | ST/UPC MM/Zinc , Hood/Boot Color: Red & Black |
| 4 | LC/UPC MM/Ivory, Housing/Boot Color: White, Tube Color: Yellow & White |
| 3 | MM ,DX/UL, OM3 10G 50/125, OD:2.0*4.1mm, Aqua Color |
| 2 | ST/UPC MM/4.0 |
| 1 | LC/UPC MM/4.0 |
| No. | Specifications |

| | | |
|--------------|--|---|
| Item Number: | LCST-310xx | |
| Title: | 10 Gigabit Aqua LC/ST OM3 Multimode Duplex Fiber Optic Cable, 50/125 | |
| Drawn by: | JL |  |
| Approved by: | MAC | |
| ID: | 1 | |