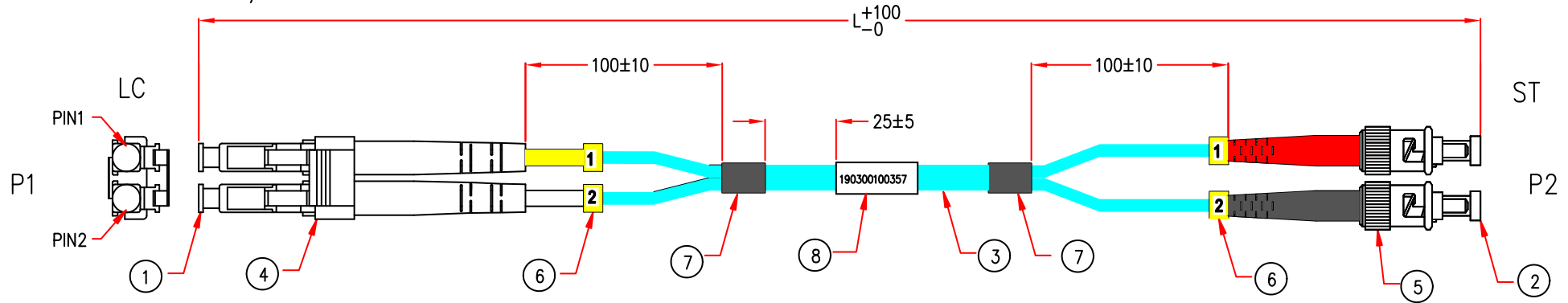


**CABLE MARKING:**

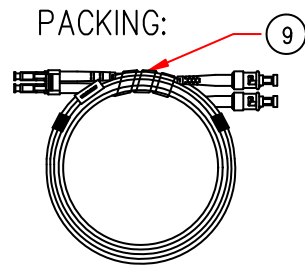
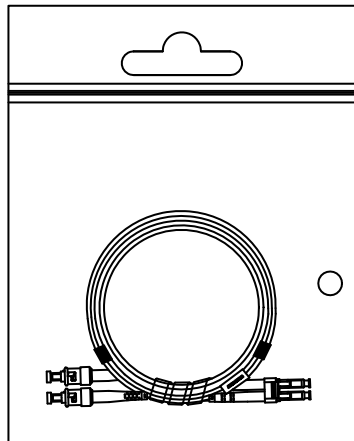
OPTICAL FIBER CABLE 50/125 OM4 MM-2.0\*4.1 OFNR <UL> E510298 MSL BATCH NO XXM

Rev.	Description	Date
A		04-2023



**PACKING:**

1 PC IN A ZIP BAG



Pin Assignment	
P1	P2
1	1
2	2

WaveLength: 850nm

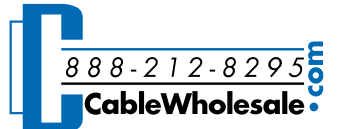
- 1.Insertion loss: LC/UPC: ≤0.30dB  
ST/UPC: ≤0.30dB
- 2.Return loss: LC/UPC : ≥35dB  
ST/UPC : ≥35dB

RoHS

PART NO.	CABLE LENGTH
LCST-41001	1 Meter
LCST-41002	2 Meter
LCST-41003	3 Meter
LCST-41005	5 Meter

9 Transparent Coil Cable Tie, Length 40mm

No.	Specifications
8	L/N with Transparent Label 20*20mm
7	Black Heat Shrink Tube Φ4.0*15mm
6	Mark Ring, Color Yellow (#1 & #2)
5	ST/UPC MM/ Zinc Hood/Boot Color: Red & Black
4	LC/UPC MM/ Ivory Housing/Boot Color: White, Tube Color: Yellow & White
3	MM, DX/UL OM4, 50/125, OD:2.0*4.1mm, Aqua Color Jacket
2	ST/UPC MM/4.0
1	LC/UPC MM/4.0

Item Number:	LCST-410xx	
Title:	LC/UPC to ST/UPC OM4 Duplex 2.0mm Fiber Optic Patch Cord, OFNR, Multimode 50/125 10Gbit, Aqua Jacket	
Drawn by:	JL	
Approved by:	MAC	
ID:	1	