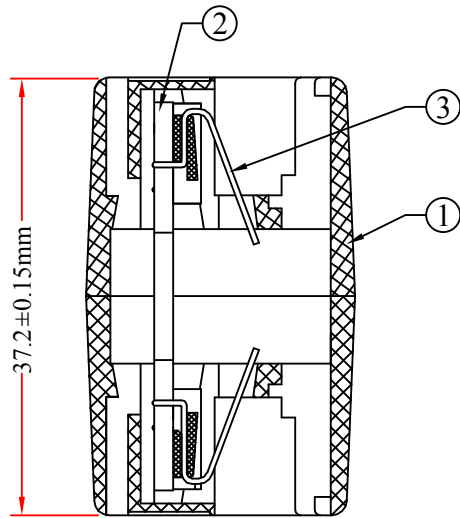
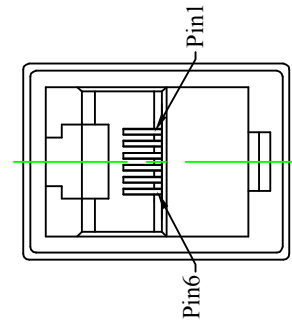
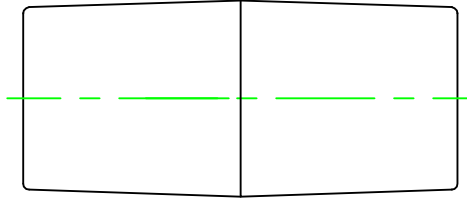
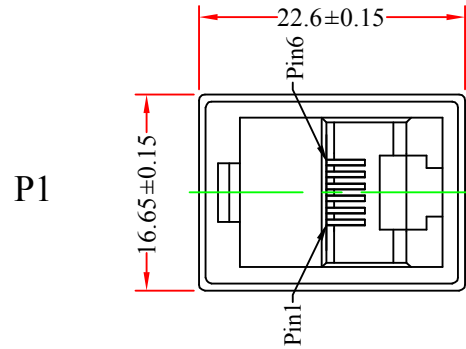


REV.	DESCRIPTION	DATE
A		05-2012



Pin Assignment	
P1	P2
1	1
2	2
3	3
4	4
5	5
6	6

RoHS

3	RJ12 6P6C Jack, 50u Gold Plated Contacts
2	PCB
1	Cover ABS Body
NO.	SPECIFICATIONS
	BOM LIST

ITEM NUMBER	MC-6P6C-ST		DRAWER	JL
TITLE	RJ12 (Straight) Telephone Inline Coupler		CHECKED	
MATERIAL	SCALE		APPROVED	
REV.	A	UNIT	INCH	
DRAWING NO:				
			 888-212-8295.com	