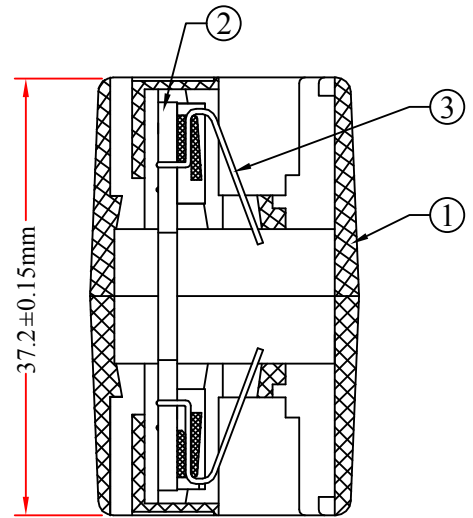
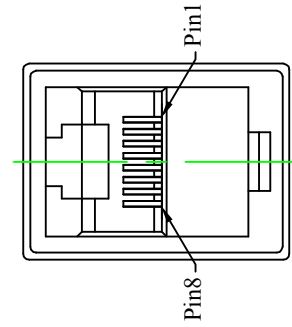
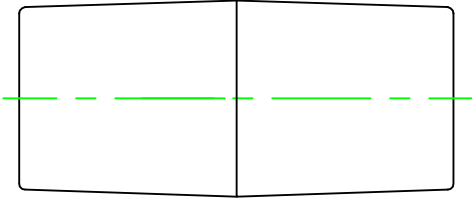
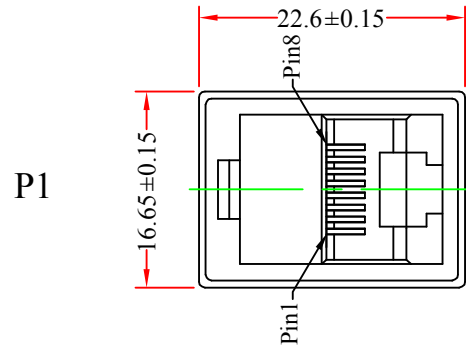


REV.	DESCRIPTION	DATE
A		05-2012



Pin Assignment	
P1	P2
1	1
2	2
3	3
4	4
5	5
6	6
7	7
8	8

RoHS

NO.	SPECIFICATIONS
3	RJ45 8P8C Jack, 50u Gold Plated Contacts
2	PCB
1	Cover ABS Body
BOM LIST	

ITEM NUMBER	MC-8P8C-ST		DRAWER	JL
TITLE	RJ45 (Straight) Telephone Inline Coupler		CHECKED	
MATERIAL	SCALE		APPROVED	
REV.	A	UNIT	INCH	
DRAWING NO:				
		 888-212-8295.com		