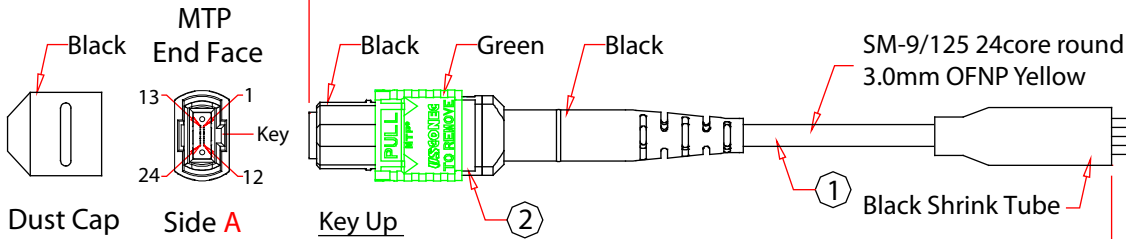


RoHS

Rev.	Description	Date
A		02-2023

Cable Length±5%

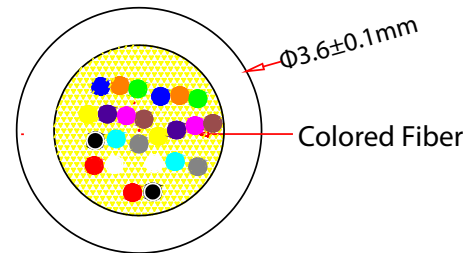


2.0mm Duplex Tube OFNP (Yellow)

SM-9/125 24core round 3.0mm OFNP Yellow

Black Shrink Tube

Cable Structure (Scale 10:1)



Wiring Diagram (MTP)

Side A	Fiber Color	Side A	Fiber Color
1	Blue	13	Blue
2	Orange	14	Orange
3	Green	15	Green
4	Brown	16	Brown
5	Grey	17	Grey
6	White	18	White
7	Red	19	Red
8	Black	20	Natural
9	Yellow	21	Yellow
10	Violet	22	Violet
11	Pink	23	Pink
12	Aqua	24	Aqua

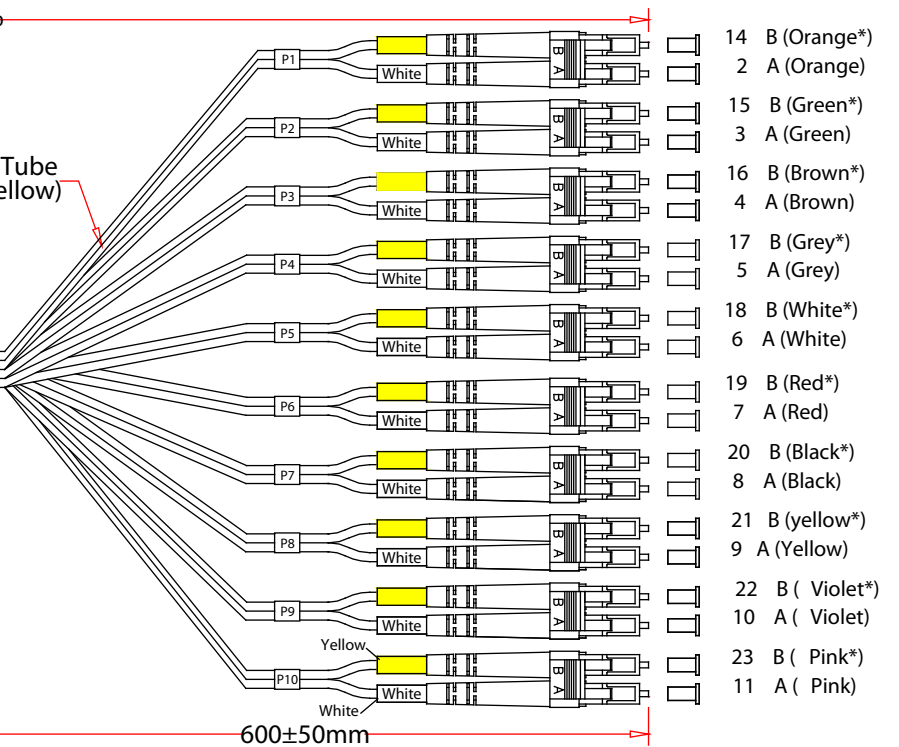
Notes:

Insertion Loss:

≤0.75dB @1310nm for each MTP+Cord Attenuation

≤0.30dB @1310nm for each LC+Cord Attenuation

Cord Attenuation: $L(m)/1000(m) \times 0.35\text{dB}/1\text{km}@1310\text{nm}$



PART NO.	CABLE LENGTH	PART NO.	CABLE LENGTH
MPLC-22003	3 Meter	MPLC-22015	15 Meter
MPLC-22005	5 Meter	MPLC-22030	30 Meter
MPLC-22010	10 Meter		

Item Number:	MPLC-220xx		
Title:	Plenum Fiber Optic Cable, 100 Gigabit Ethernet CFP/CXP 100GBase-SR10 to MTP(MPO)/LC (10 Duplex LC) 24 inch Breakout Cable, OS2 9/125 Singlemode		
Drawn by:	JL		
Approved by:	MAC		
ID:	124		

No.	Specifications
3	LC duplex SM Connector
2	MTP/APC Connector
1	SM-9/125 24core round 3.6mm OFNP Yellow