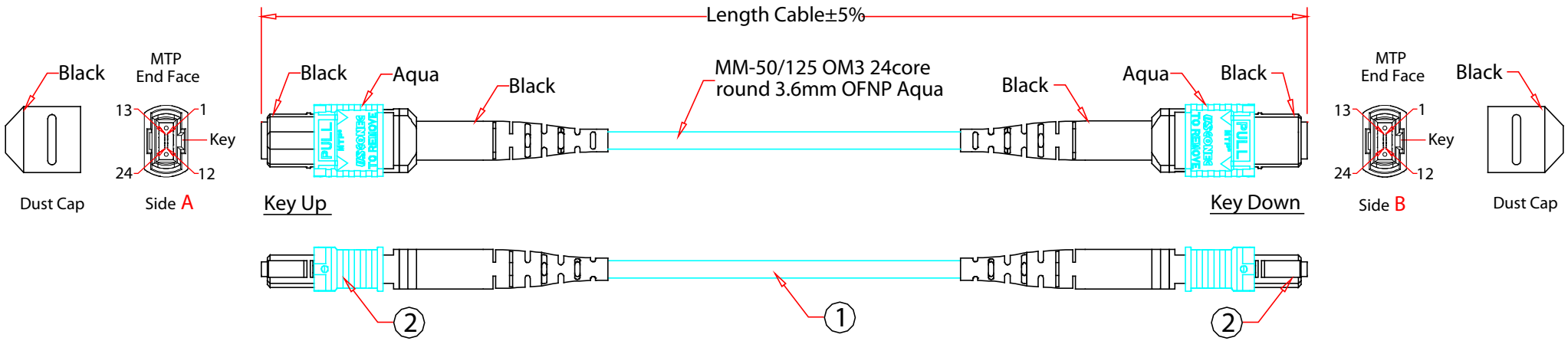
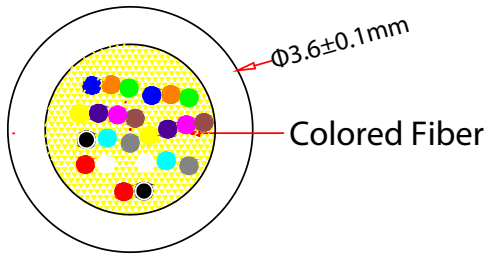


Rev.	Description	Date
A		02-2023



RoHS

Cable Structure  
(Scale 10:1)



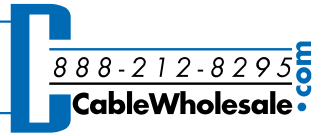
Wiring Diagram (Type A)

Side A	Fiber Color	Side B	Side A	Fiber Color	Side B
1	Blue	13	13	Blue	1
2	Orange	14	14	Orange	2
3	Green	15	15	Green	3
4	Brown	16	16	Brown	4
5	Grey	17	17	Grey	5
6	White	18	18	White	6
7	Red	19	19	Red	7
8	Black	20	20	Natural	8
9	Yellow	21	21	Yellow	9
10	Violet	22	22	Violet	10
11	Pink	23	23	Pink	11
12	Aqua	24	24	Aqua	12

**Notes:**  
 Insertion Loss:  
 $\leq 0.5\text{dB}$  @850nm for each MTP+Cord Attenuation  
 Cord Attenuation:  $L(m)/1000(m) \times 3.5\text{dB}$  / 1 km@850nm

PART NO.	CABLE LENGTH
MPMP-32001	1 Meter
MPMP-32002	2 Meter
MPMP-32003	3 Meter
MPMP-32005	5 Meter
MPMP-32007	7 Meter
MPMP-32010	10 Meter
MPMP-32015	15 Meter
MPMP-32020	20 Meter
MPMP-32050	50 Meter

No.	Specifications
3	
2	US CONEC MTP Connector
1	MM-50/125 OM3 12Core Round 3.0mm, OFNP Aqua Jacket

Item Number:	MPMP-320xx	
Title:	Plenum Fiber Optic Cable, MTP / MTP (MPO), Multimode, Duplex, 24 Strand, 100 Gbps, 50/125	
Drawn by:	JL	
Approved by:	MAC	
ID:	124	