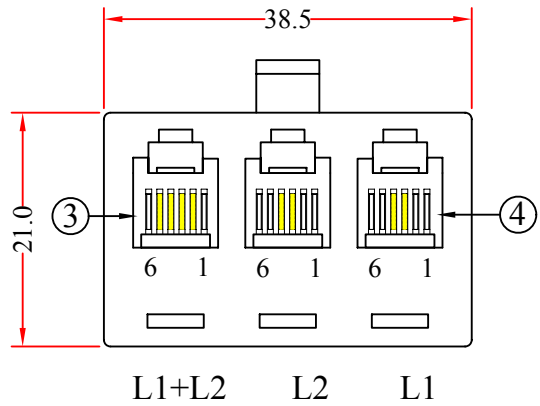
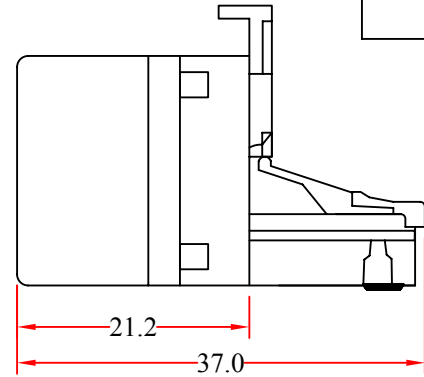


REV.	DESCRIPTION	DATE
A		02-2015

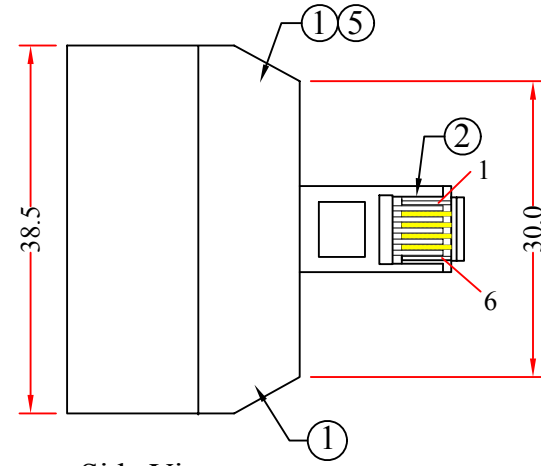


Front View



RoHS

Pin Assignment			
Plug	L1+L2	L2	L1
2	Black	2	Black
3	Red	3	Red
4	Green	4	Green
5	Yellow	5	Yellow



Plug

Side View

5	ABS Cover	ITEM NUMBER	PA-6P4C-3	DRAWER	JL
4	6P2C Female, w/3u Gold Plating Contacts	TITLE	Telephone Jack Line Separator, RJ11/RJ12 Male to 3 RJ11/RJ12 Female	CHECKED	
3	6P4C Female, w/3u Gold Plating Contacts	MATERIAL		APPROVED	
2	6P4C Plug, w/3u Gold Plating Contacts	REV.	A	SCALE	
1	Wire Cable, Black / Red / Green / Yellow	UNIT	MM		
NO.	SPECIFICATIONS	DRAWING NO:			
	BOM LIST	ID(NO.)	1		