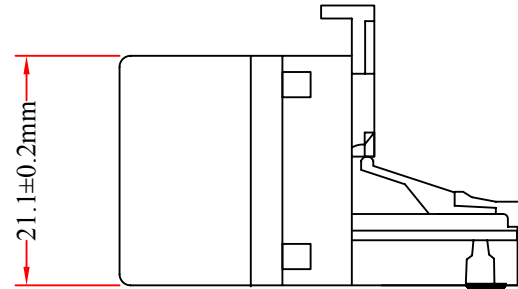


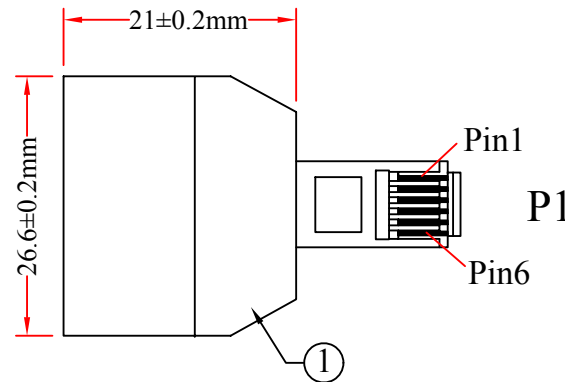
REV.	DESCRIPTION	DATE
A		11-2012



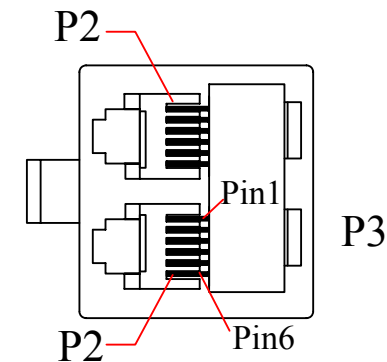
Side View

RoHS

Pin Assignment					
P2		P1		P3	
1	————	1	————	1	
2	————	2	————	2	
3	————	3	————	3	
4	————	4	————	4	
5	————	5	————	5	
6	————	6	————	6	



Front View



ITEM NUMBER	PA-6P6C-ST			DRAWER	JL
TITLE	Phone Splitter (Straight) RJ12 6P6C Male to 2 x RJ12 6P6C Female			CHECKED	
				APPROVED	
MATERIAL		SCALE			
REV.	A	UNIT	MM		
DRAWING NO:					

1	RJ12 6P6C Plug, w/50u Gold Plating Contacts ,(Straight) T-Adaptor,Color:Ivory
NO.	SPECIFICATIONS
	BOM LIST