

Rev.	Description	Date
A		02-2022



Performance:	Meets or Exceeds ANSI/TIA 568-D.2; ISO/IEC 11801 Class D; ANSI/TIA 1096-A; IEC 60603-7
Wire Cond(s) OD:	23AWG: 1.15mm-1.35mm (0.045"-0.053")
Max LAN Cable OD:	8mm (0.315")
Supports PoE/PoH:	Yes
Cable Fire Resistance Ratings:	Commercial Rated, CMP, CMR, CM, CMX, LSZH up to B2ca EuroClass
Flame Autoextinguish:	UL94 V0, IEC 60695-11-10
Contact Material:	Phosphor Bronze - .012" thick
Contact Plating:	Min 50 Micro-Inch Pure Gold - 24 Carat Hard Gold Plate in contact area over 100 Micro-Inch Min Nickel Plating. Exceeds ANSI/TIA-1096-A specifications (formerly FCC Part 68)
Plug Material:	Polycarbonate
Shielded Material:	Hard Brass
Shielded Plating:	80 Micro-Inch minimum Nickel Plating
Plug Tolerances and Dimensions:	Meets ANSI/TIA-1096-A specifications (formerly FCC Part 68)
Conductor Type(s):	Solid and Stranded
Operating Temperature:	-40° C to +70° C
Insertion/Extraction Life:	2000 Minimum Cycles
Contact Resistance:	20 Milli-Ohms maximum
Current/Voltage:	30 VAC/42 VDC at 1.5 Amps
Compliance:	UL Listed, RoHS, FCC, NEC

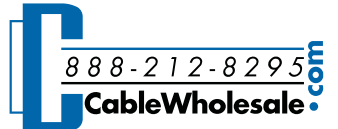


TAA
Compliant



USA Designed

RoHS

Item Number:	S45-1755P	
Title:	For Shielded LAN cables (Cat7a/7/6a/6) STP	
Drawn by:	JL	
Approved by:	MAC	
ID:	400	

No.	Specifications
-----	----------------