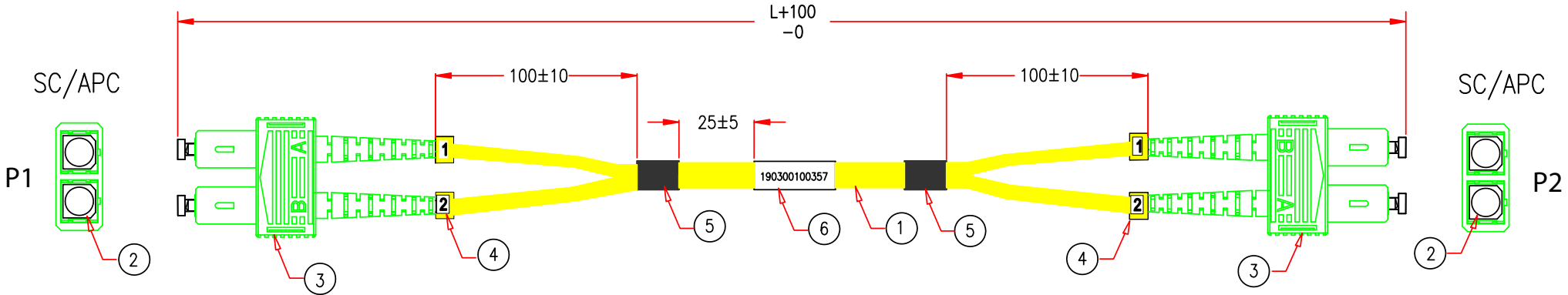
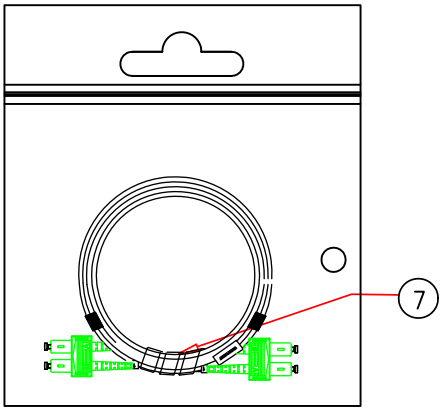


Rev.	Description	Date
A		03-2023

CABLE MARKING:
 OPTICAL FIBER CABLE 9/125 G657A1 SM-2.0*4.1 OFNR Exxxxxx MSL BATCH NO xxM(米标)



PACKING:
 1PC in a Zip Bag



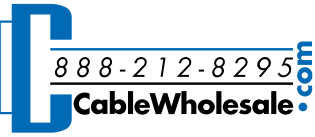
Pin Assignment	
P1	P2
1	1
2	2

RoHS

WaveLength: 1310nm&1550nm
 1. Insertion loss: SC/APC: ≤0.3 dB
 2. Return loss : SC/APC: ≥65 dB

PART NO.	CABLE LENGTH
SCSC-00301	1 Meter
SCSC-00302	2 Meter
SCSC-00303	3 Meter

No.	Specifications
7	Transparent Coil Cable Tie , Length 40mm
6	L/N with Transparent Label 20*20mm
5	Black Heat Shrink Tube Φ4.0*15mm
4	Mark Ring, Color Yellow (#1 & #2)
3	SC/APC SM/DX2.0 Zinc Alloy, Outer Frame PBT (Green) Tail Cover TPV: Green
2	SC/APC SM /1.0
1	SM DX 9/125 G657A1 OD:2.0*4.1mm, Yellow PVC Optical Fiber Cable

Item Number:	SCSC-013xx	
Title:	SC/APC Duplex Fiber Optic Patch Cable, OS2 9/125 Singlemode, Yellow Jacket, Green Connector	
Drawn by:	JL	
Approved by:	MAC	
ID:	1	