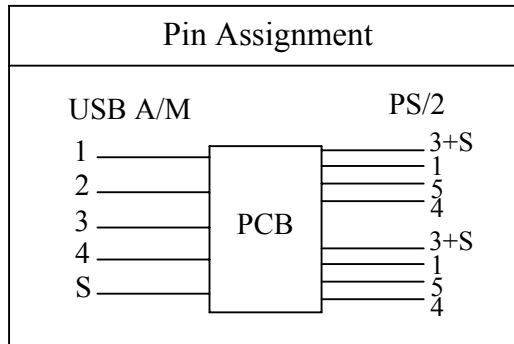
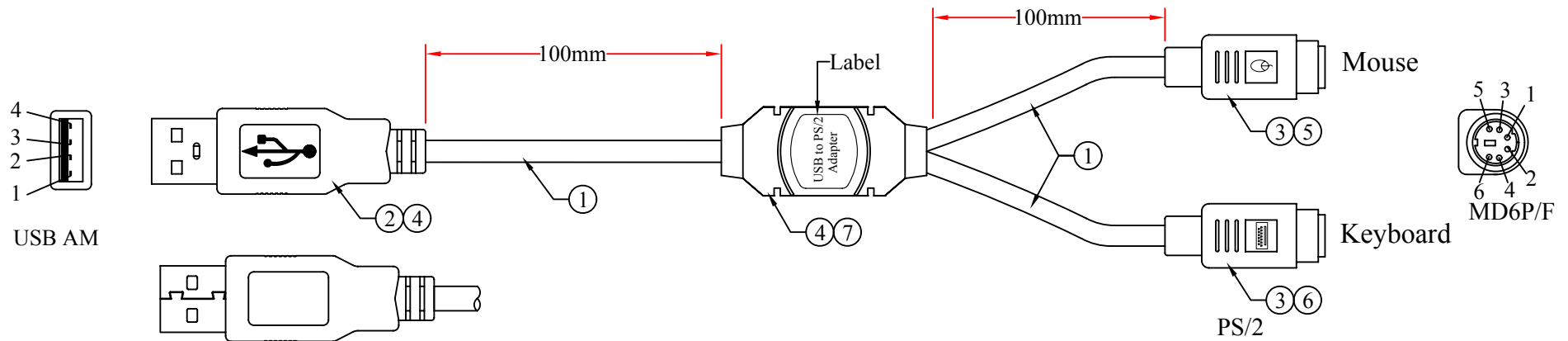


REV.	DESCRIPTION	DATE
A		06-2013



RoHS

Features:

- Support two PS/2 devices (keyboard and mouse) and Converts to the USB Interface
- Convert the PC PS/2 port of KVM switch to USB port
- Support standard PS/2 mouse, Microsoft IntelliMouse
- Easy to install, no software driver needed
- No power adapter is needed.
- Comply to USB 1.0 and 1.1 Specification
- Support UHCI and OHCI USB interface
- Operation Temperature: 0jæ-40jæ
- Storage Temperature: -20jæ-60jæ

7	PCB
6	Purple Molded PVC
5	Green Molded PVC
4	Beige Molded PVC
3	Mini Din 6P Female ,Shell Nickel Plated
2	USB Type A Male ,White Insulator,Shell Nickel Plated
1	USB 2725 Cable,Beige Outer PVC Jacket
NO.	SPECIFICATIONS
BOM LIST	

ITEM NUMBER	UC-451G			DRAWER	JL
TITLE	USB to PS/2 Active Adapter, USB Type A Male to 2 PS/2 Female (Keyboard and Mouse)			CHECKED	
MATERIAL		SCALE		APPROVED	
REV.	A	UNIT	INCH		
DRAWING NO:				 888-212-8295 CableWholesale.com	
ID (NO.)	2				