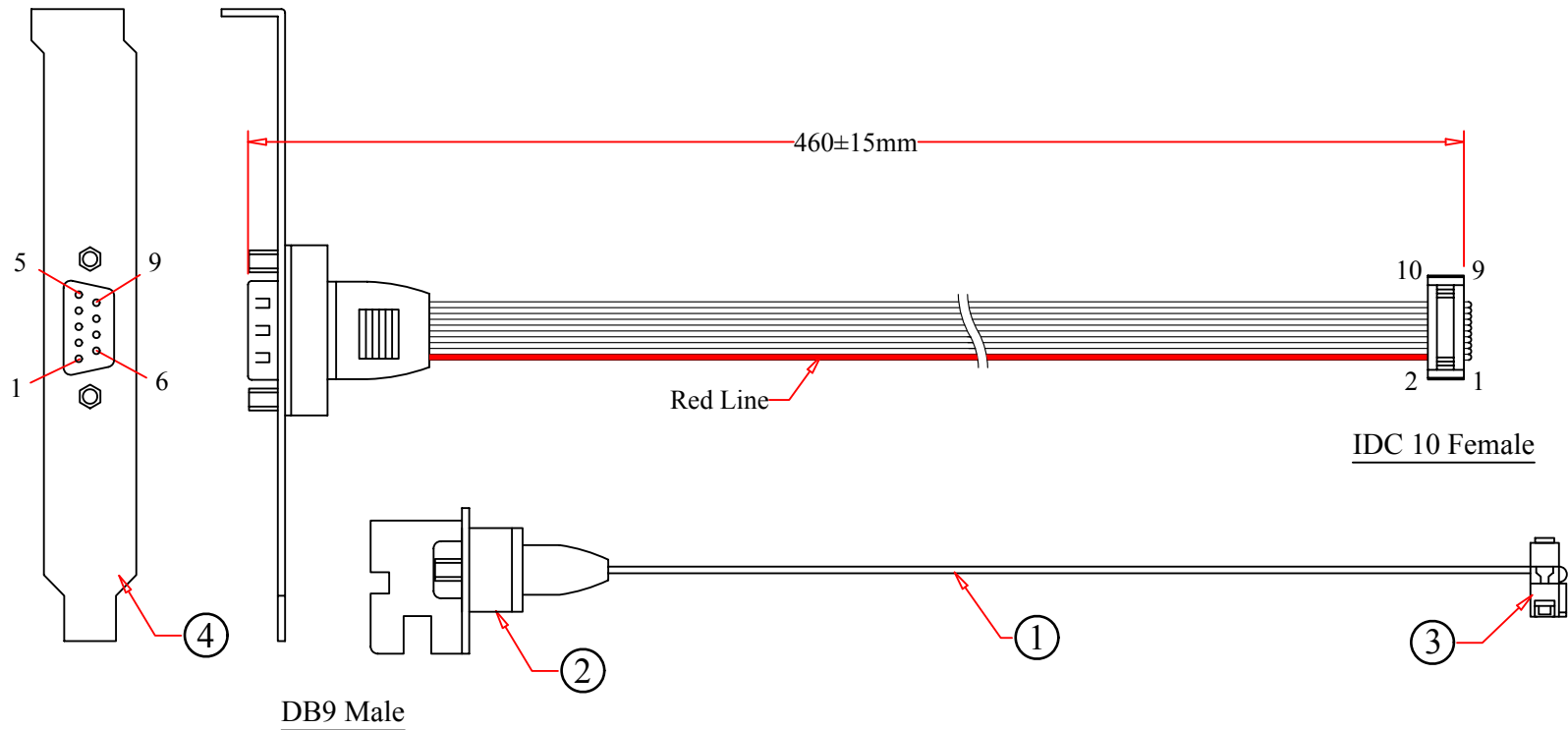


REV.	DESCRIPTION	DATE
A		10-2017

RoHS



Pin Assignment		
DB 9M		IDC 10F
1	_____	1
2	_____	2
3	_____	3
4	_____	4
5	_____	5
6	_____	6
7	_____	7
8	_____	8
9	_____	9
NC	_____	10

NO.	SPECIFICATIONS
4	Metal Bracket
3	IDC 10 Female(Black Three Pieces with Nose), Pitch 2.54mm
2	DB9 Male, Black Insulator, Nickel Plated, Assembly Black Shell
1	UL2651 Flat Cable, 30AWG x 10C, Pitch 1.27mm, Gray PVC Jacket
BOM LIST	

ITEM NUMBER	WS09-0110M		DRAWER	JL
TITLE	Serial Port Cable, DB9 Male to 10 Pin IDC Socket		CHECKED	
MATERIAL		SCALE	APPROVED	
REV.	A	UNIT	INCH	
DRAWING NO:				
ID(NO.)	19			