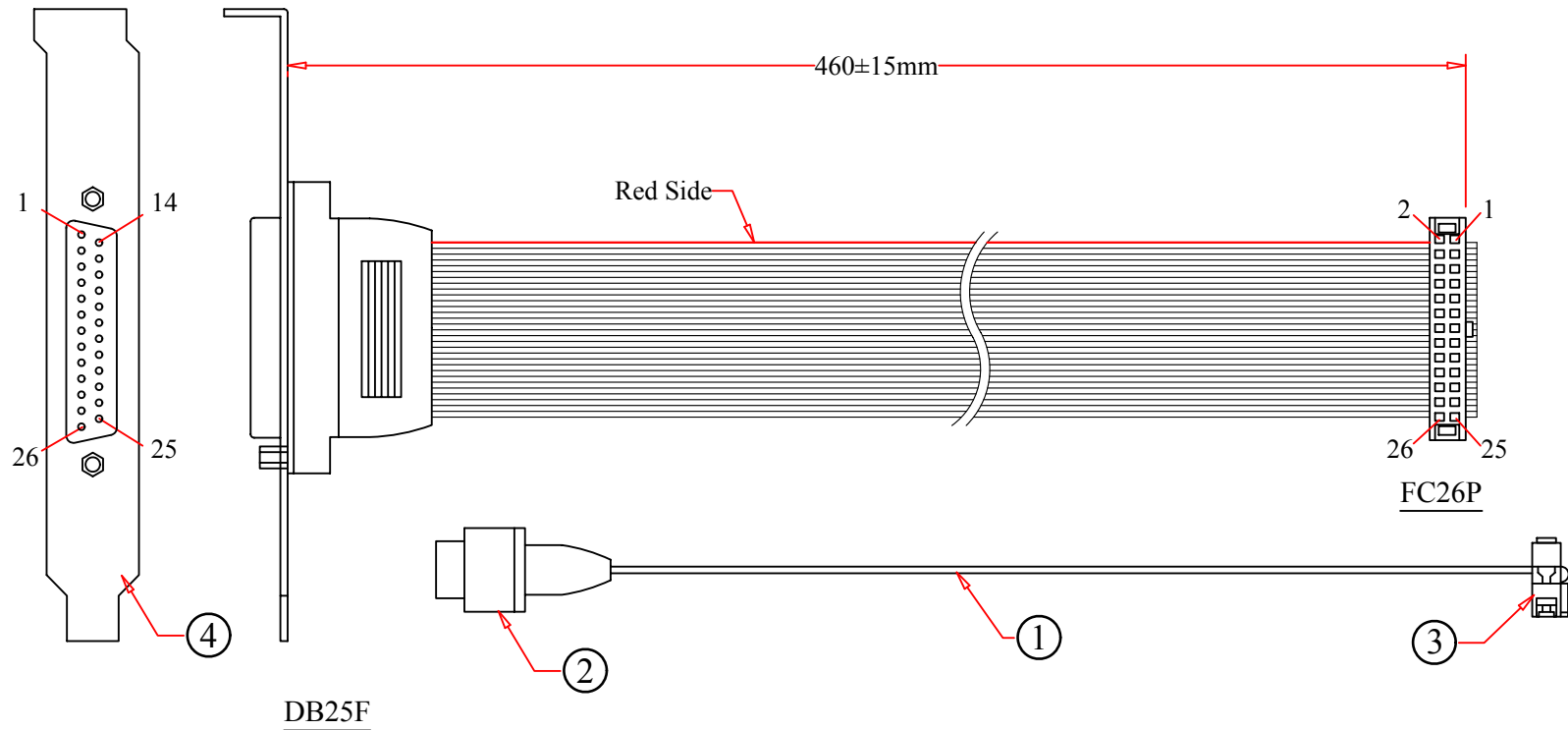


RoHS

REV.	DESCRIPTION	DATE
A		04-2015



NO.	SPECIFICATIONS
4	Iron Band, Nickel Plated
3	FC26Pin, Black Three Piece with Nose
2	DB25 Female, Blue Insulator,
1	UL2651,28AWG x 26C, Pitch 1.27mm, Gray PVC Jacket.(Pure Copper Braid)

BOM LIST

ITEM NUMBER	WS25-0020F			DRAWER	JL
TITLE	Otherboard Parallel Port to Slot Cover Cable, IDC 26 to DB25 Female 18 inch			CHECKED	
MATERIAL		SCALE		APPROVED	
REV.	A	UNIT	INCH		
DRAWING NO:				 888-212-8295.com	
ID(NO.)	19				